



PROJECT TITLE:

CONSTRUCTION OF  
DZONGKHAG  
EMERGENCY  
OPERATION CENTER

DRAWING TITLE:

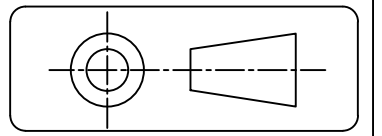
FLOOR PLAN

ARCHITECTURAL DRAWING

DESIGN BY:  
TSUTOMU SAKAKIYAMA  
YESHI LOTEY  
SONAM TSHEWANG  
SONAM TOBGAY  
NIDUP ZANGMO  
TSHERING DORJI

ENDORSED BY:

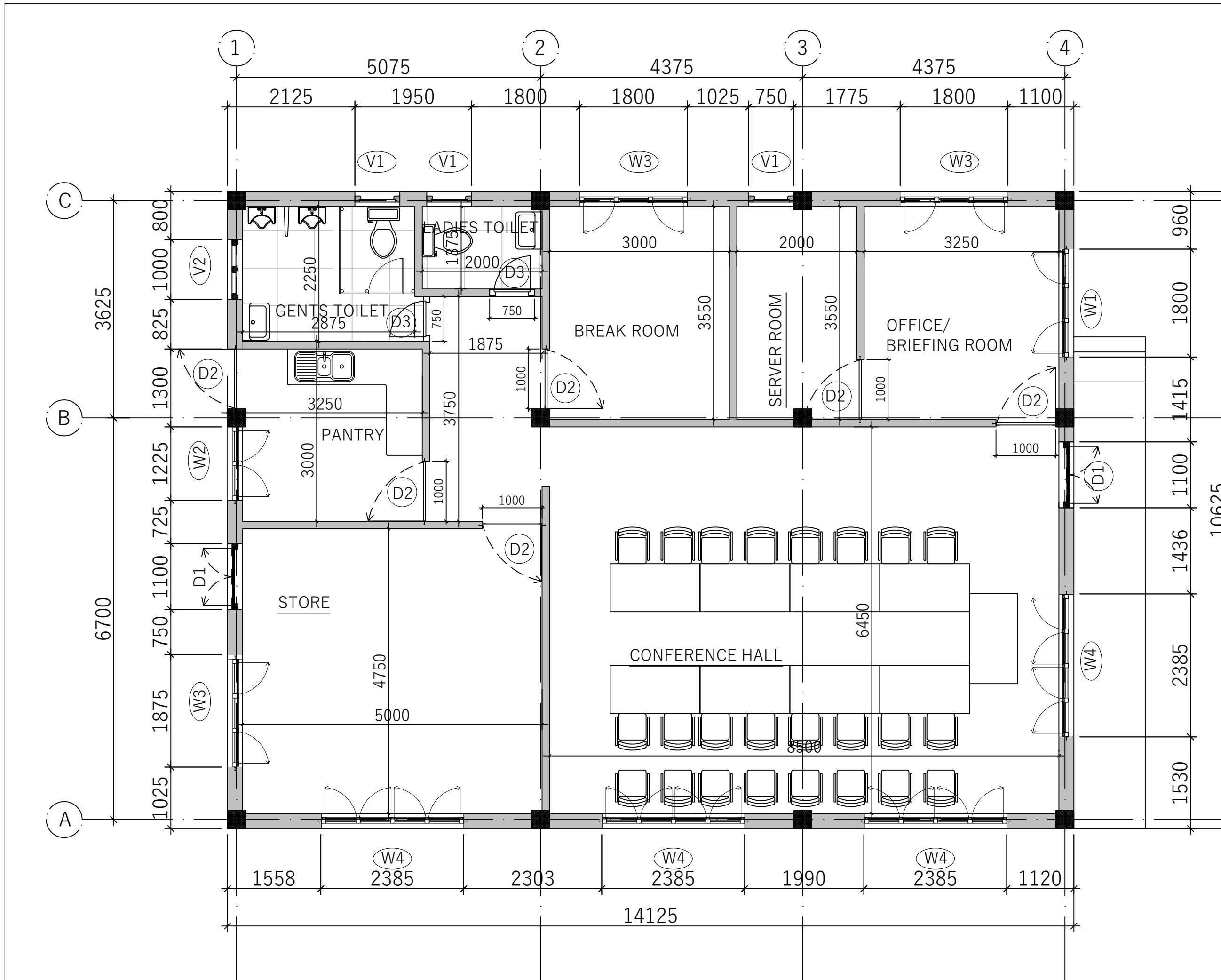
JIGME THINLYE  
NAMGYEL  
DIRECTOR GENERAL



DATE: Mar 2020

SCALE: NTS

DWG NO.:01





PROJECT TITLE:

CONSTRUCTION OF  
DZONGKHAG  
EMERGENCY  
OPERATION CENTER

DRAWING TITLE:

RIGHT SIDE ELEVATION  
LEFT SIDE ELEVATION

ARCHITECTURAL DRAWING

DESIGN BY:

TSUTOMU SAKAKIYAMA

YESHI LOTEY

SONAM TSEWANG

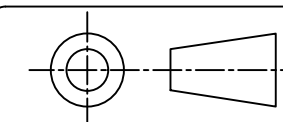
SONAM TOBGAY

NIDUP ZANGMO

TSSHERING DORJI

ENDORSED BY:

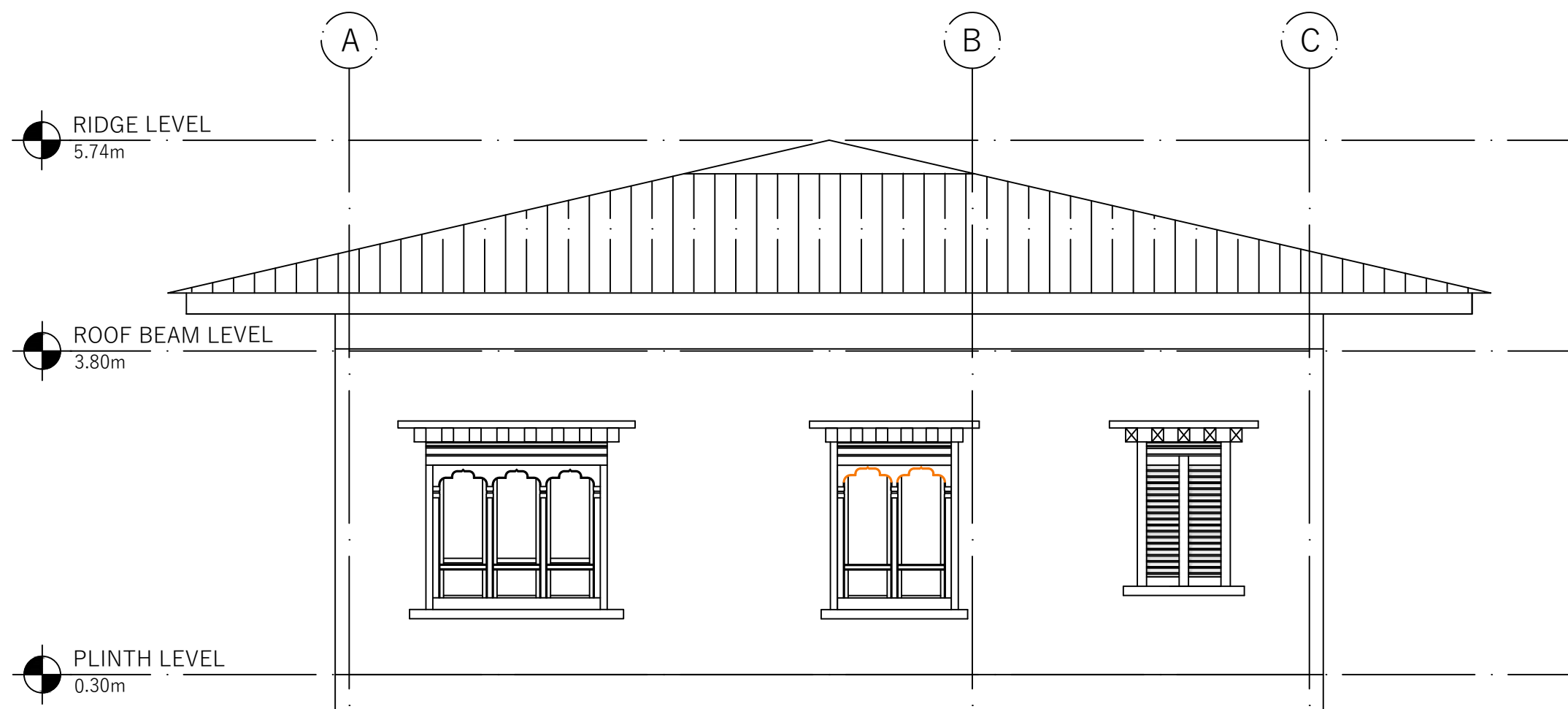
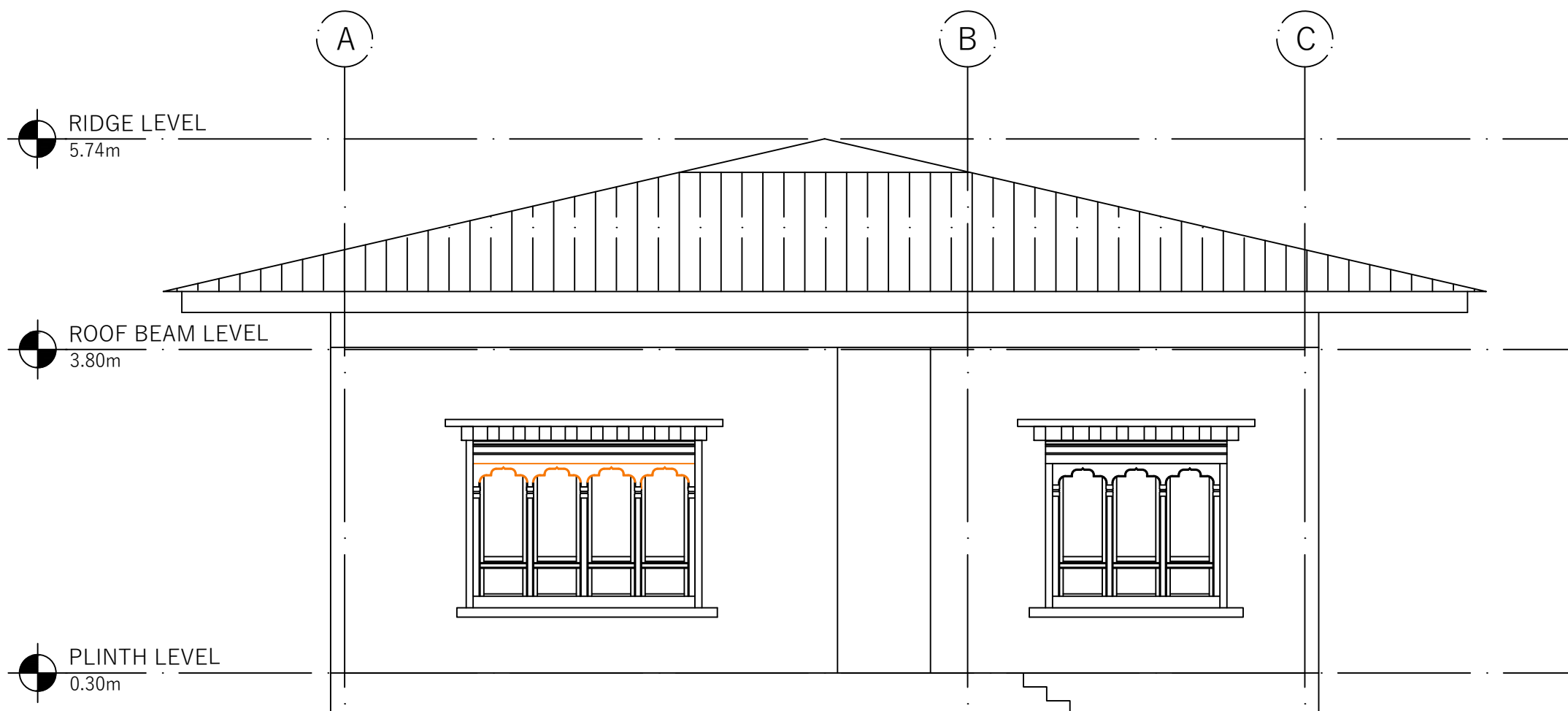
JIGME THINLYE  
NAMGYEL  
DIRECTOR GENERAL



DATE: Mar 2020

SCALE: NTS

PAGE NO.:02





PROJECT TITLE:

CONSTRUCTION OF  
DZONGKHAG  
EMERGENCY  
OPERATION CENTER

DRAWING TITLE:

FRONT ELEVATION  
BACK ELEVATION

ARCHITECTURAL DRAWING  
FOR TEMPERATE REGION

DESIGN BY:

TSUTOMU SAKAKIYAMA

YESHI LOTEY

SONAM TSHEWANG

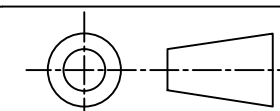
SONAM TOBGAY

NIDUP ZANGMO

TSHERING DORJI

ENDORSED BY:

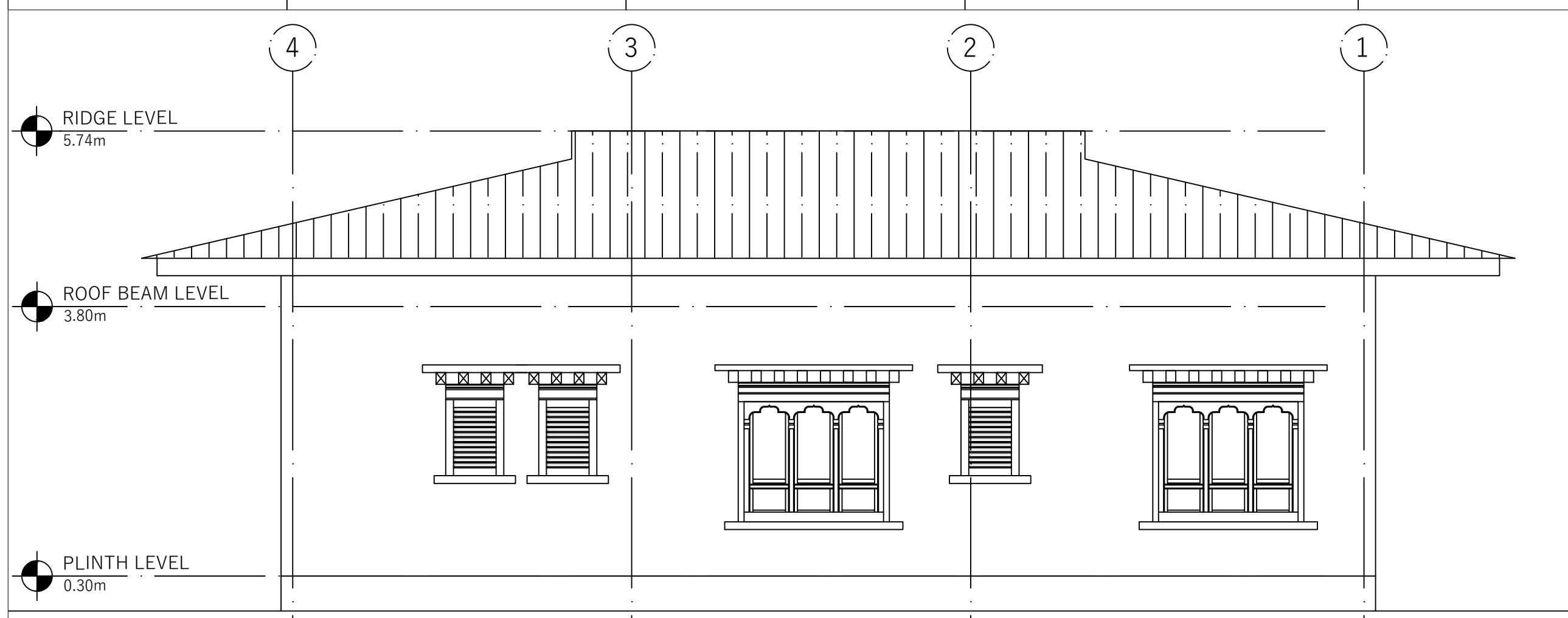
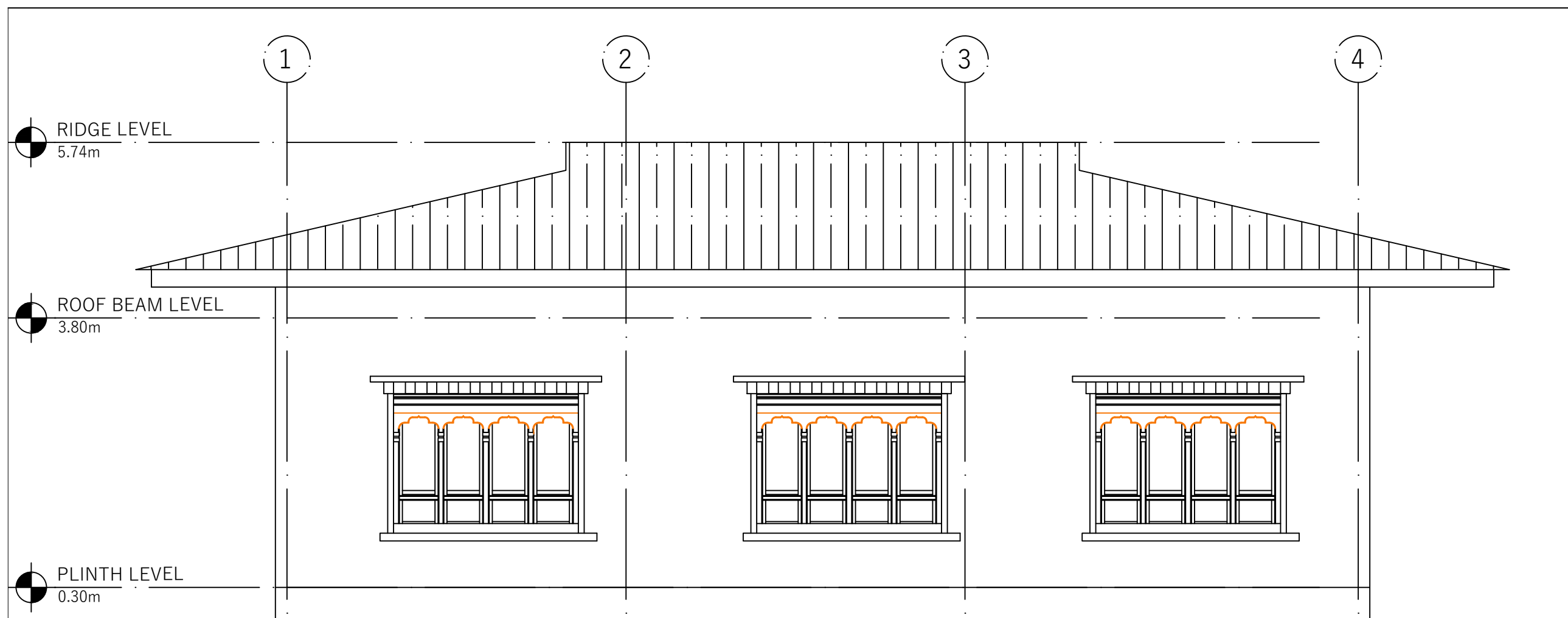
JIGME THINLYE  
NAMGYEL  
DIRECTOR GENERAL



DATE: Mar 2020

SCALE: NTS

DWG NO.:03





PROJECT TITLE:

CONSTRUCTION OF  
DZONGKHAG  
EMERGENCY  
OPERATION CENTER

DRAWING TITLE:

SECTION X-X

ARCHITECTURAL DRAWING

DESIGN BY:

TSUTOMU SAKAKIYAMA

YESHI LOTEY

SONAM TSEWANG

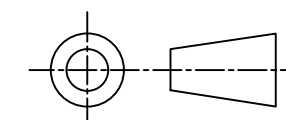
SONAM TOBGAY

NIDUP ZANGMO

TSSHERING DORJI

ENDORSED BY:

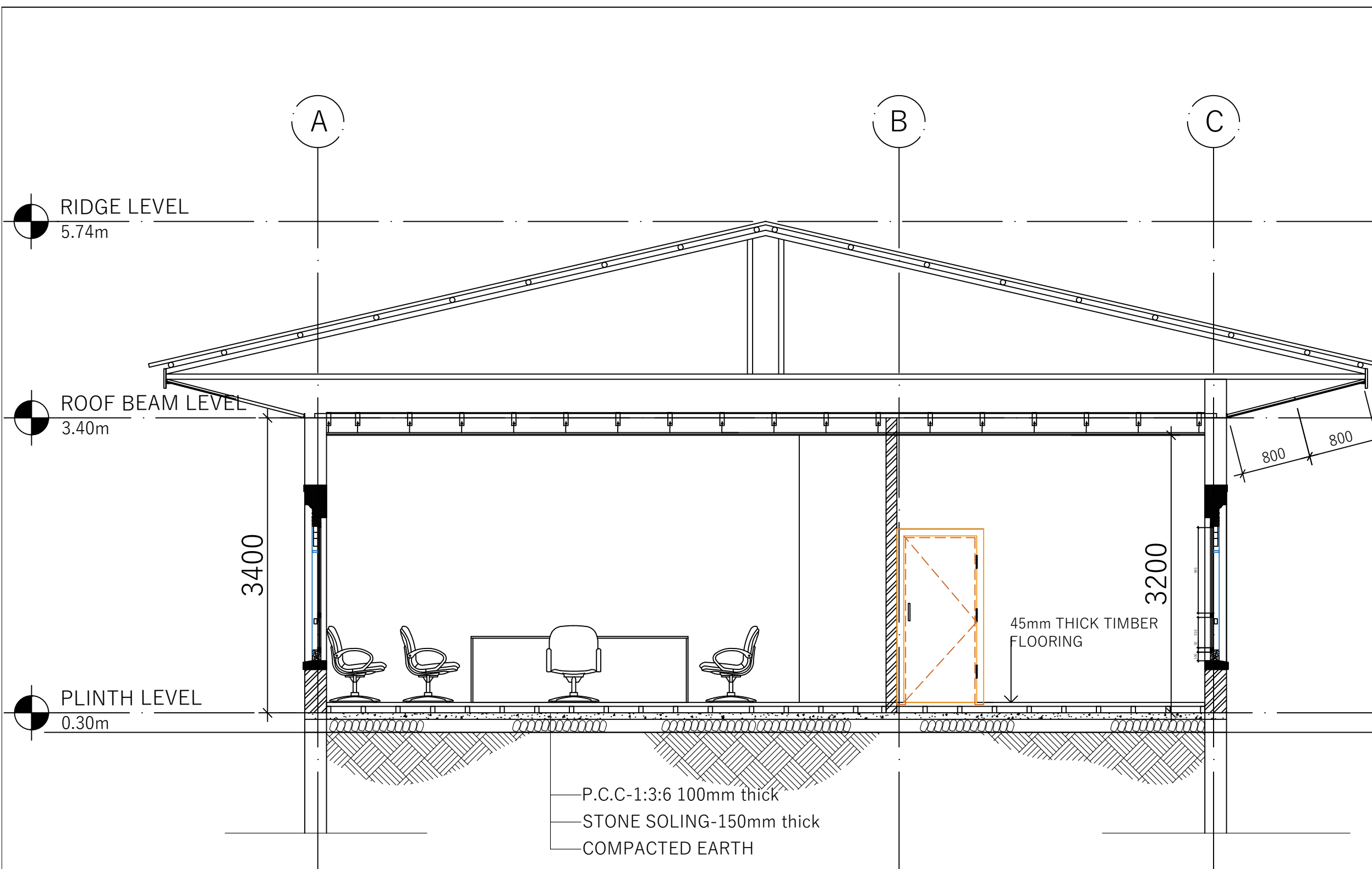
JIGME THINLYE  
NAMGYEL  
DIRECTOR GENERAL



DATE: Mar 2020

SCALE: NTS

DWG NO.:04





PROJECT TITLE:

CONSTRUCTION OF  
DZONGKHAG  
EMERGENCY  
OPERATION CENTER

DRAWING TITLE:

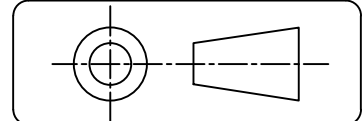
FLOOR LAYOUT

ARCHITECTURAL DRAWING  
FOR TEMPERATE REGION

DESIGN BY:  
 TSUTOMU SAKAKIYAMA  
 YESHI LOTEY  
 SONAM TSHEWANG  
 SONAM TOBGAY  
 NIDUP ZANGMO  
 TSHERING DORJI

ENDORSED BY:

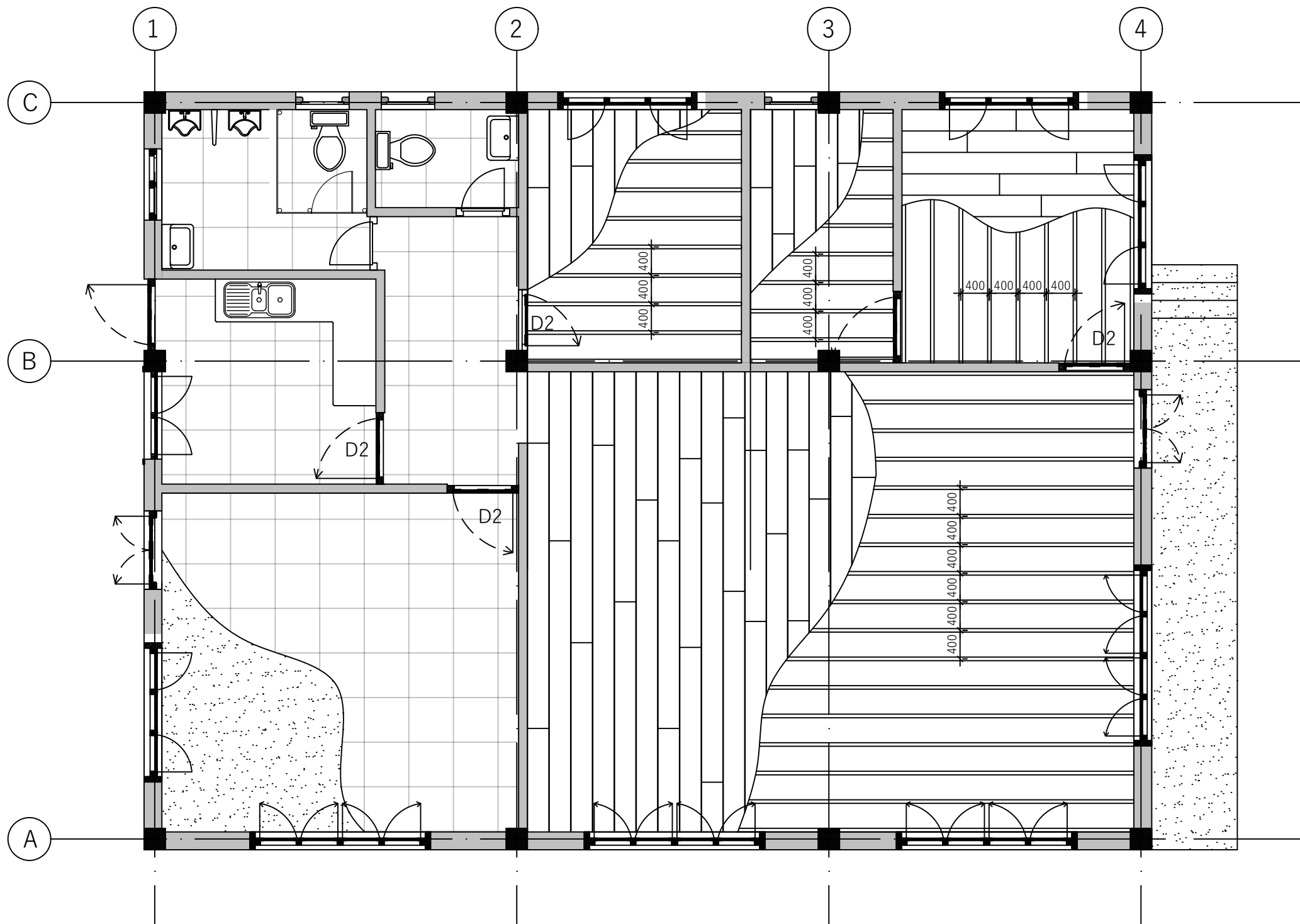
JIGME THINLYE  
NAMGYEL  
DIRECTOR GENERAL



DATE: Mar 2020

SCALE: NTS

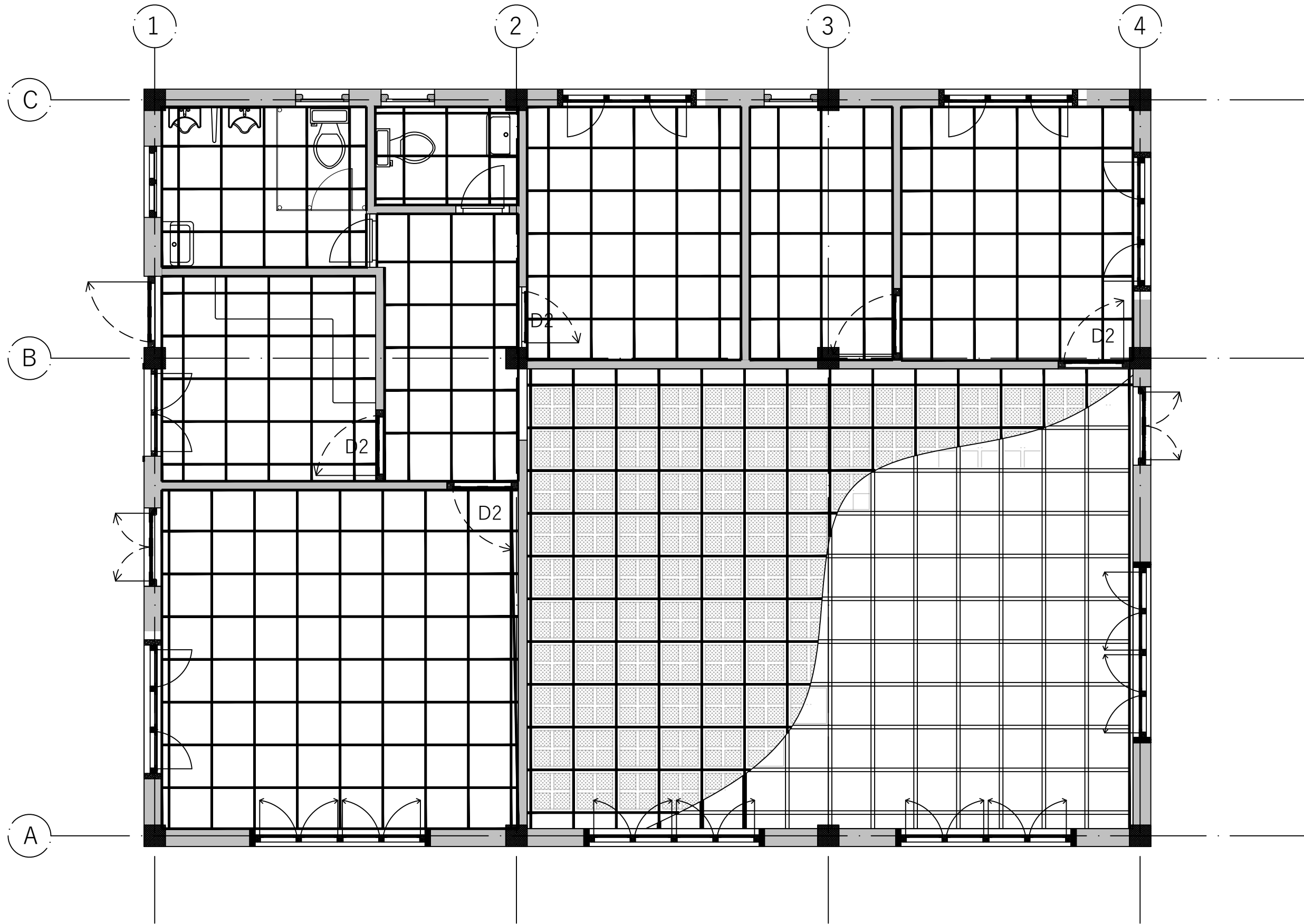
DWG NO.:05



SCHEDULE FOR FLOORING AND SKIRTING		
	TEMPERATE REGION	TROPICAL REGION
CONFERENCE HALL	TIMBER FLOORING WITH HALF LAPPED-45mm THICK TIMBER PLANK LAID OVER 75x100 mm TIMBER JOIST	GLAZE TILE OF 12mm THICK LAID OVER 25mm THICK CM 1:4
STORE		
OFFICE/BRIEFING ROOM		
SERVER ROOM		
BREAK ROOM		
PANTRY	TILES	NON SKID TILES
TOILET	NON SKID TILES	

- NOTE:-
1. Flooring are proposed differently depending the area (temperate or tropical) and the use (hall, toilet, pantry etc)
  2. HE TIMBER FOR THE FLOORING SHALL BE WELL SEASONED.
  3. THE TIMBER MEMBERS USED FOR THE FLOORING AND ALL OTHER STRUCTURAL COMPONENTS SHALL NOT EXCEED 12% OF MOISTURE CONTENT.
  4. THE TIMBER FLOORING SHALL BE HALF-LAPPED OR AS PER THE INSTRUCTION OF THE SITE ENGINEER.





PROJECT TITLE:

CONSTRUCTION OF  
DZONGKHAG  
EMERGENCY  
OPERATION CENTER

DRAWING TITLE:

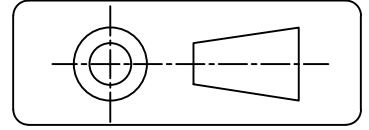
CEILING LAYOUT

ARCHITECTURAL DRAWING  
FOR TEMPERATE REGION

DESIGN BY:  
TSUTOMU SAKAKIYAMA  
YESHI LOTEY  
SONAM TSHEWANG  
SONAM TOBGAY  
NIDUP ZANGMO  
TSHERING DORJI

ENDORSED BY:

JIGME THINLYE  
NAMGYEL  
DIRECTOR GENERAL



DATE: Mar 2020

SCALE: NTS

DWG NO.:06

NOTE:-

1. Unlike flooring, same ceiling is proposed for all area and use



PROJECT TITLE:

CONSTRUCTION OF  
DZONGKHAG  
EMERGENCY  
OPERATION CENTER

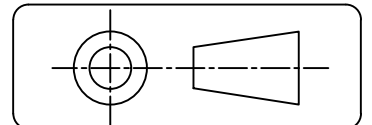
DRAWING TITLE:

ROOF LAYOUT

ARCHITECTURAL DRAWING  
FOR TEMPERATE REGION

DESIGN BY:  
TSUTOMU SAKAKIYAMA  
YESHI LOTEY  
SONAM TSHEWANG  
SONAM TOBGAY  
NIDUP ZANGMO  
TSHERING DORJI

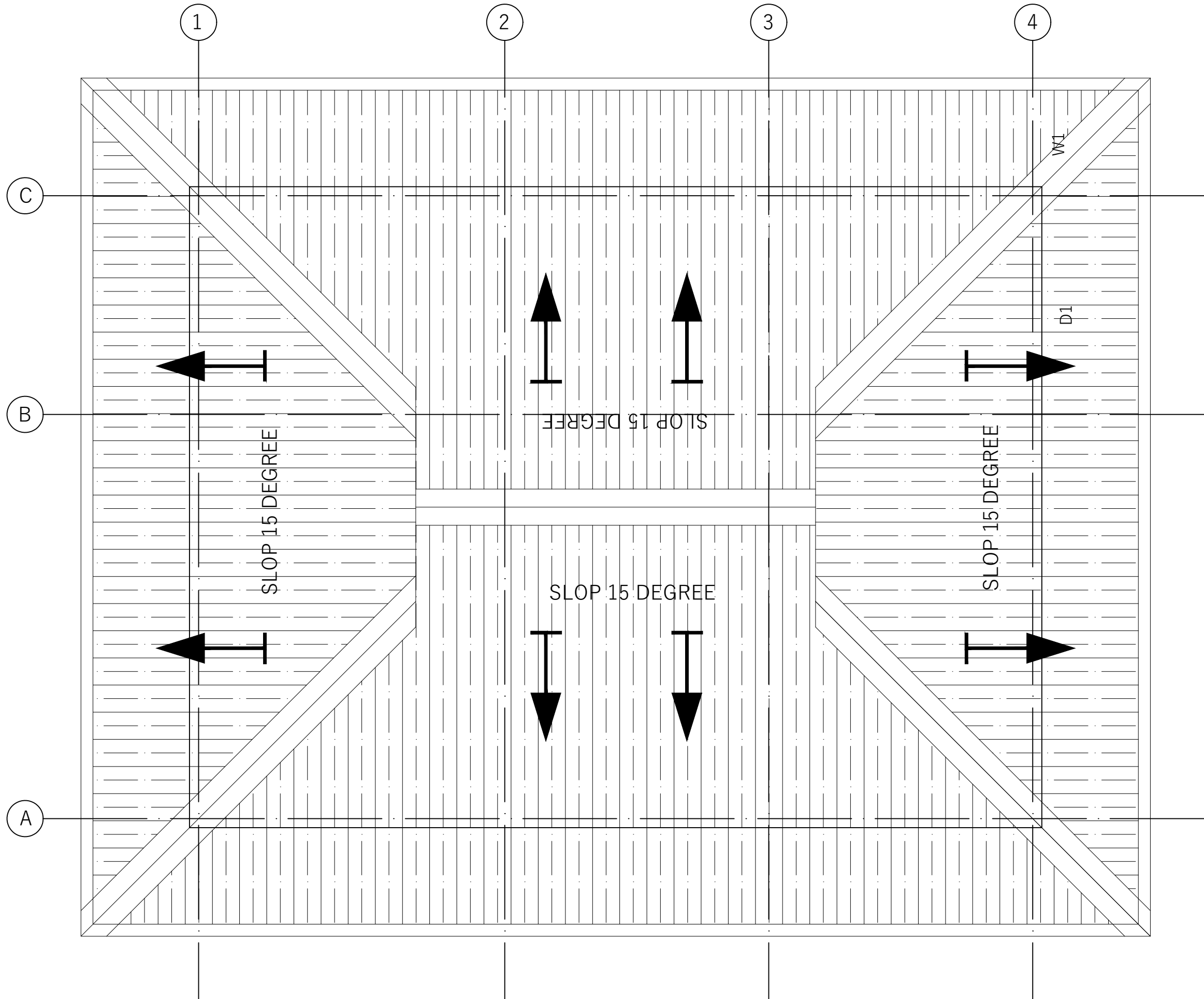
ENDORSED BY:  
JIGME THINLYE  
NAMGYEL  
DIRECTOR GENERAL



DATE: Mar 2020

SCALE: NTS

DWG NO.:07





PROJECT TITLE:

CONSTRUCTION OF  
DZONGKHAG  
EMERGENCY  
OPERATION CENTER

DRAWING TITLE:

WOODEN  
WINDOW  
DETAILS

ARCHITECTURAL DRAWING  
FOR TEMPERATE REGION

DESIGN BY:

TSUTOMU SAKAKIYAMA

YESHI LOTEY

SONAM TSHEWANG

SONAM TOBGAY

NIDUP ZANGMO

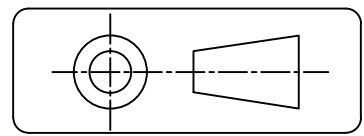
TSSHERING DORJI

ENDORSED BY:

JIGME THINLYE

NAMGYEL

DIRECTOR GENERAL

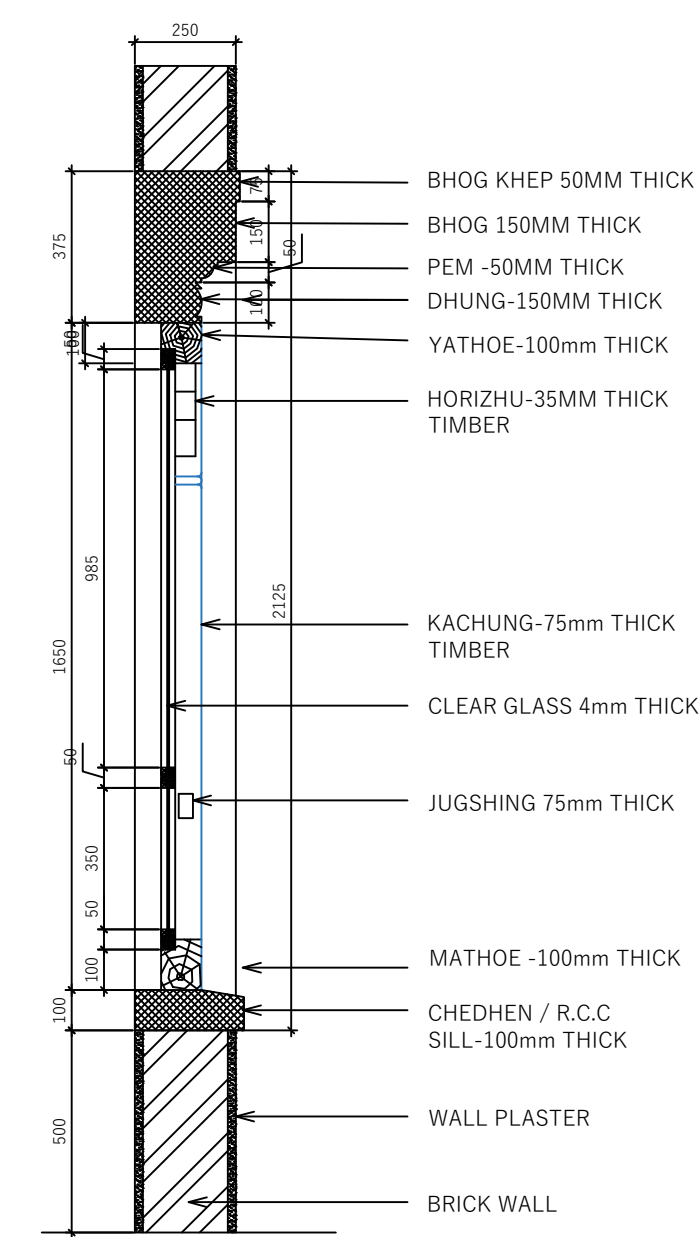
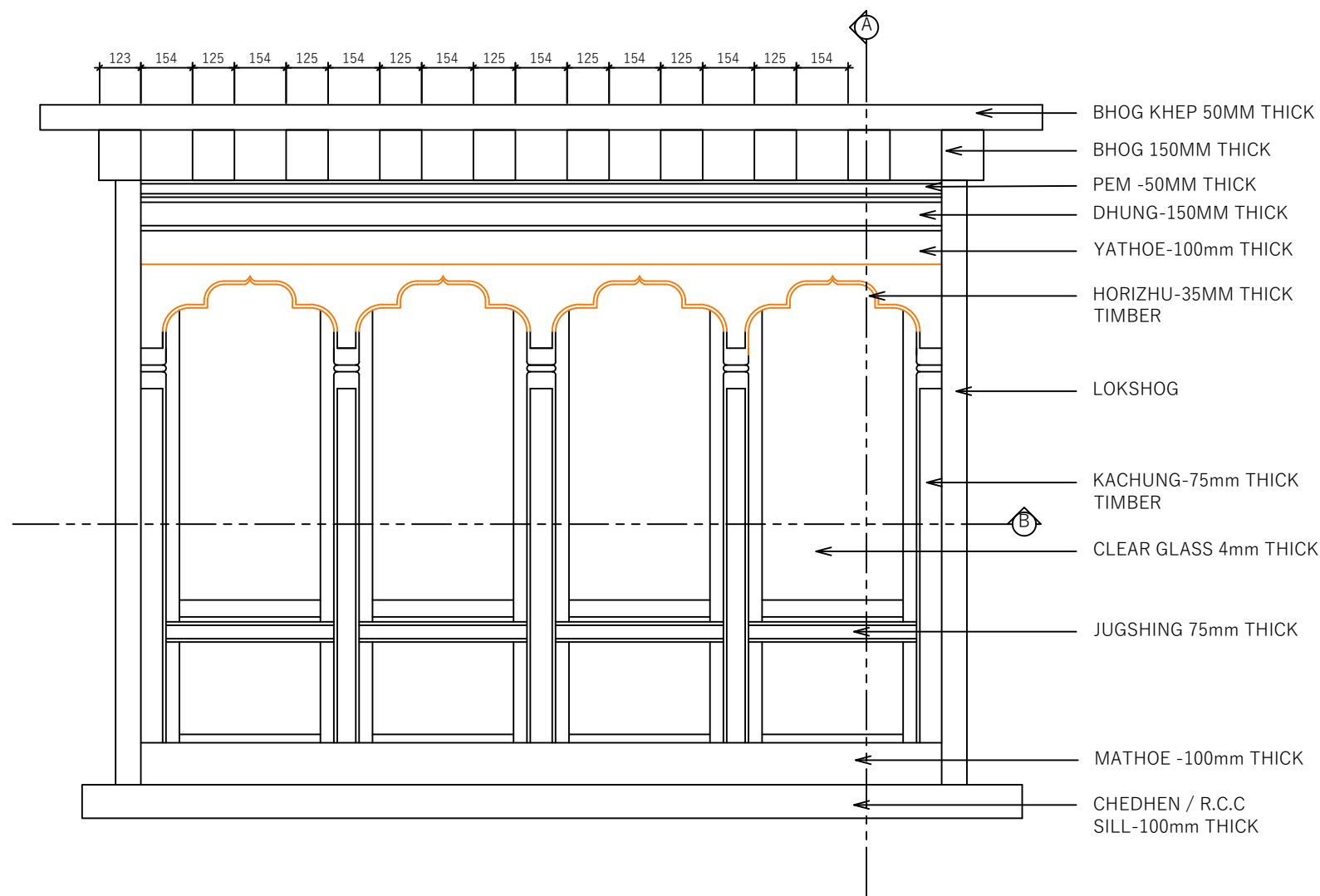


DATE: Mar 2020

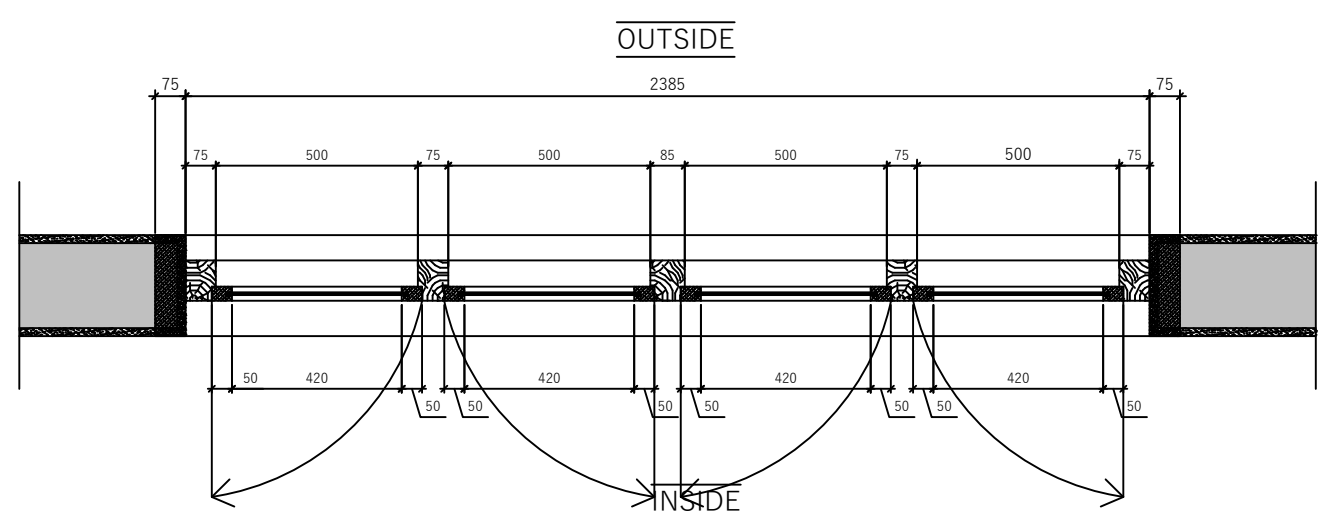
SCALE: NTS

DWG NO.:8A

# W4 FRONT ELEVATION



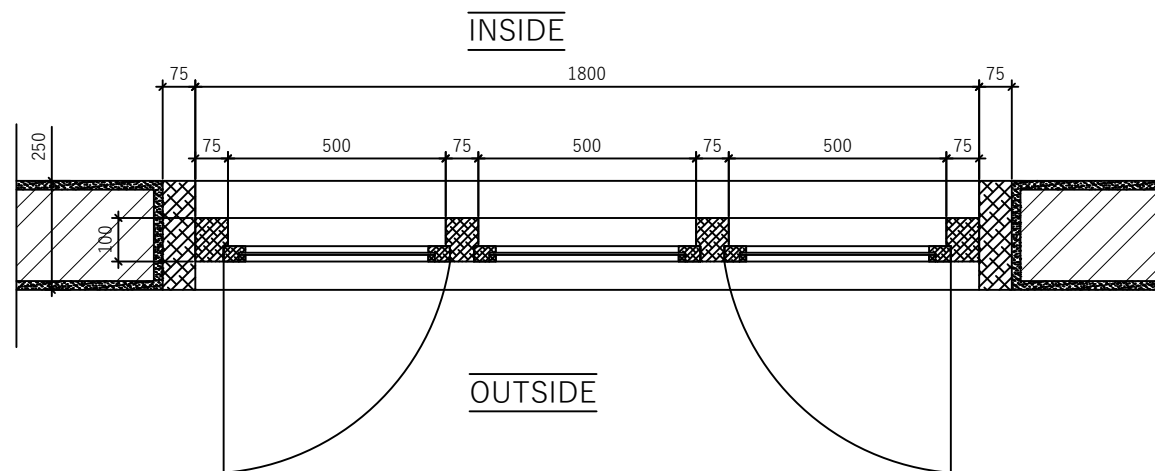
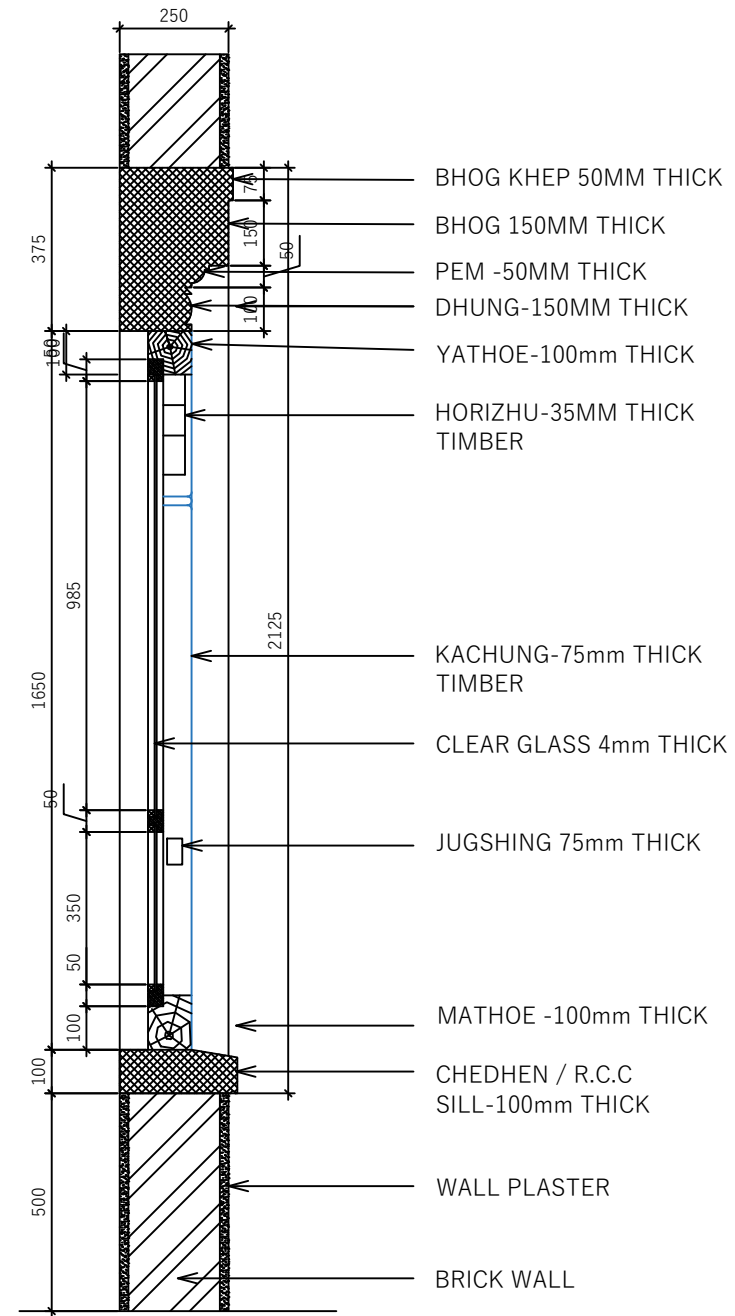
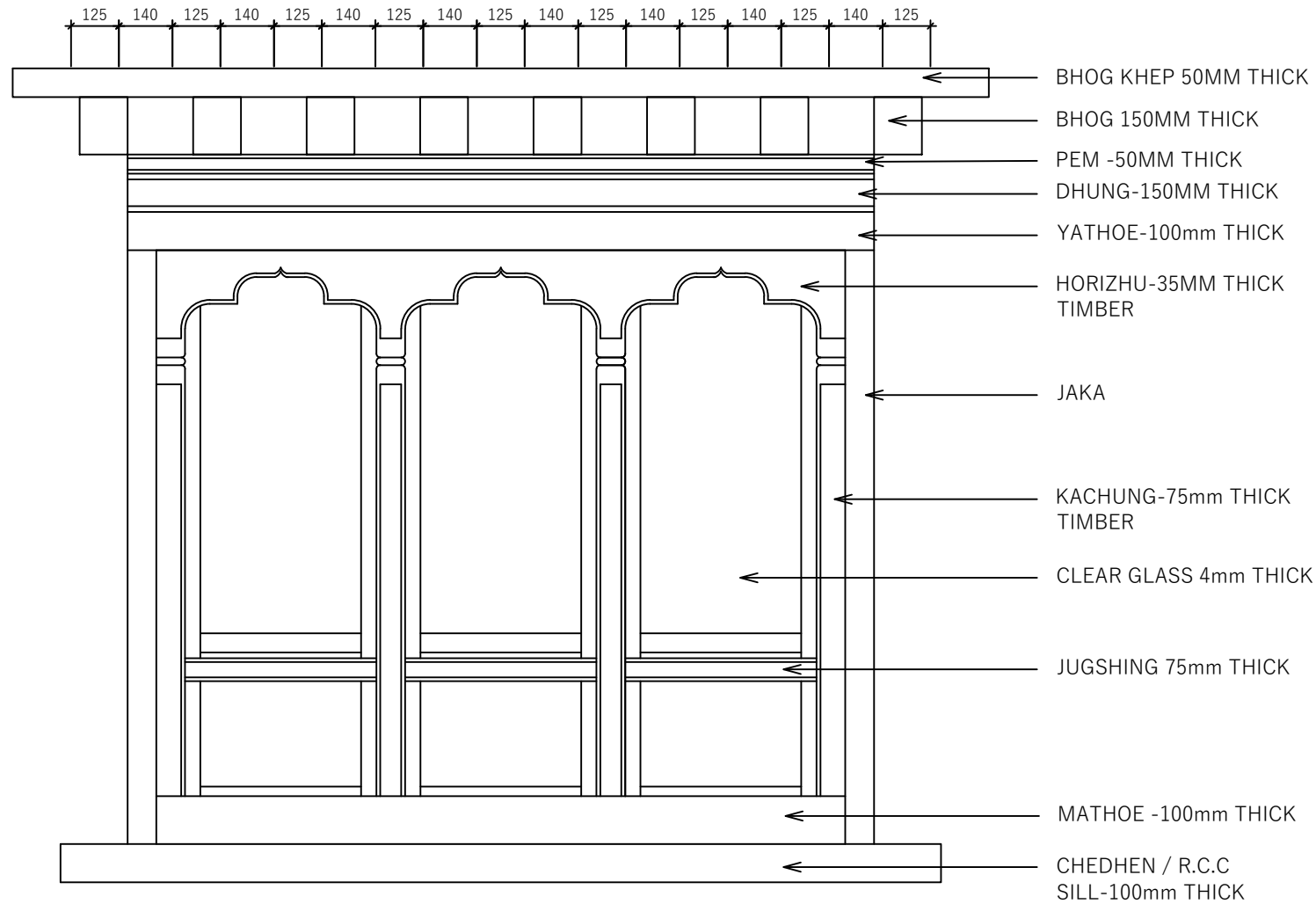
SECTION -A



SECTION -B



# W3 FRONT ELEVATION



## SECTION -A



PROJECT TITLE:

CONSTRUCTION OF  
DZONGKHAG  
EMERGENCY  
OPERATION CENTER

DRAWING TITLE:

WOODEN  
WINDOW  
DETAILS

ARCHITECTURAL DRAWING  
FOR TEMPERATE REGION

DESIGN BY:

TSUTOMU SAKAKIYAMA

YESHI LOTEY

SONAM TSEHWANG

SONAM TOBGAY

NIDUP ZANGMO

TSSHERING DORJI

ENDORSED BY:

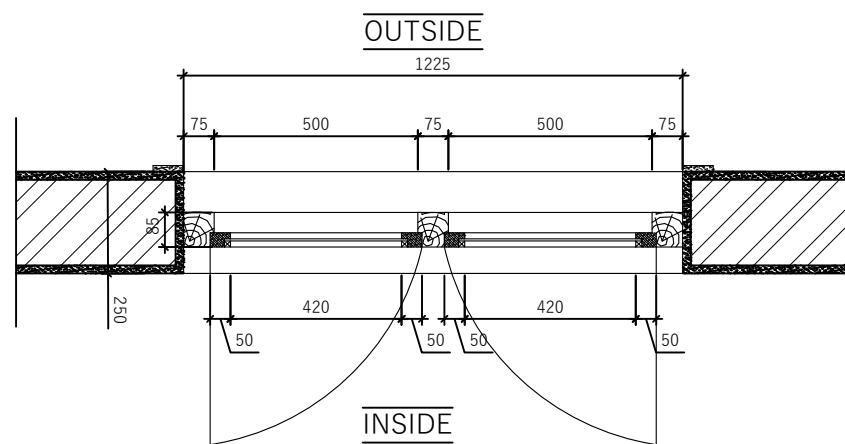
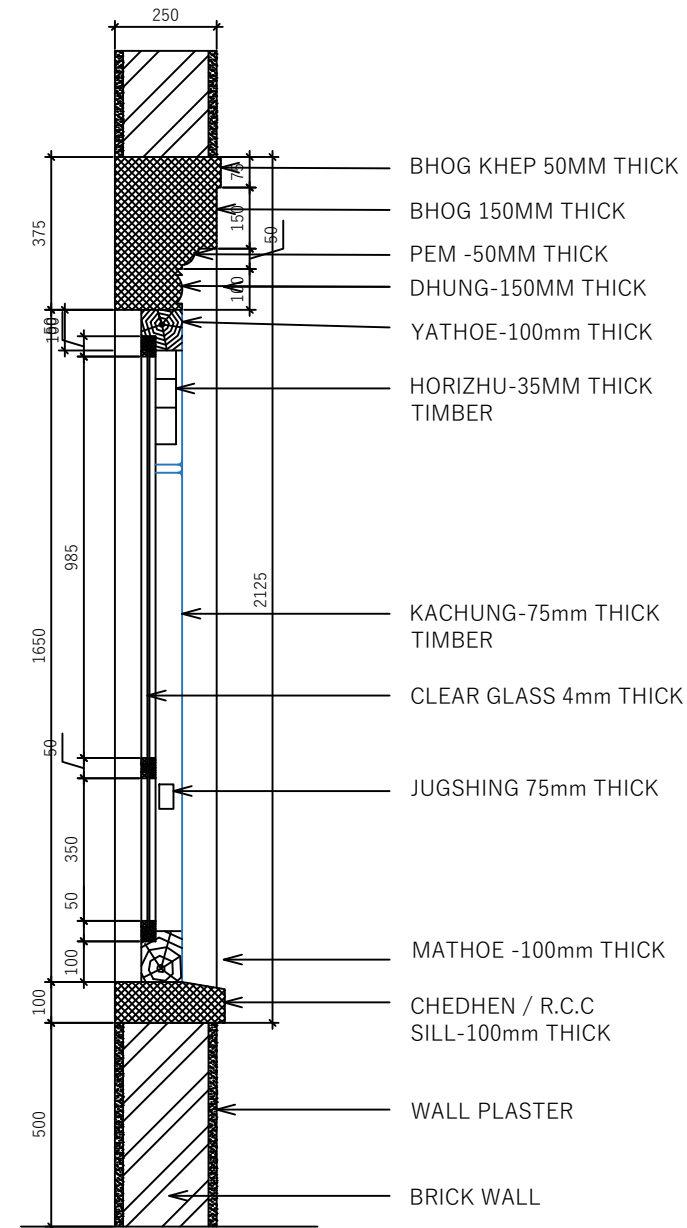
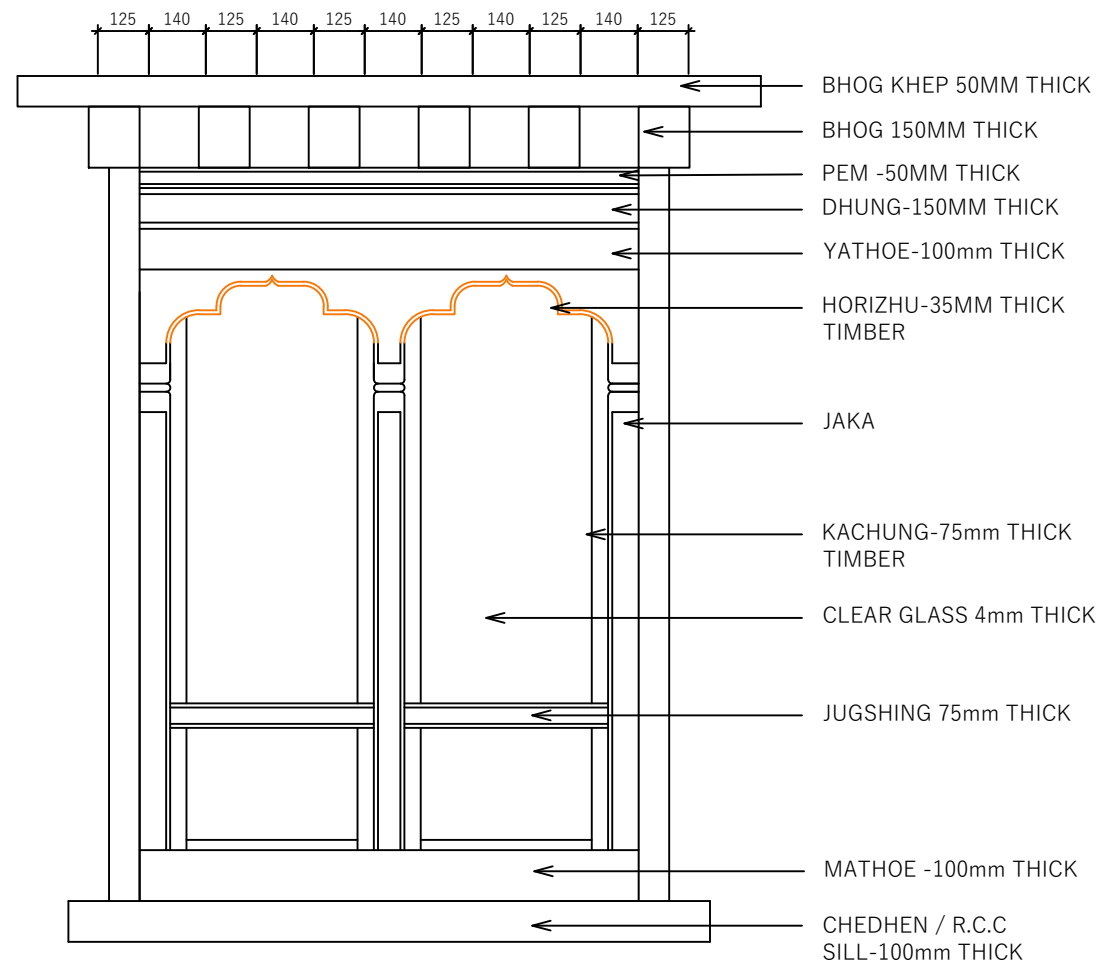
JIGME THINLYE  
NAMGYEL  
DIRECTOR GENERAL

DATE: 4/02/2020

SCALE: 1:100

PAGE NO.:9A

# W2 FRONT ELEVATION



## SECTION -A



PROJECT TITLE:

CONSTRUCTION OF  
DZONGKHAG  
EMERGENCY  
OPERATION CENTER

DRAWING TITLE:

WOODEN  
WINDOW  
DETAILS

ARCHITECTURAL DRAWING  
FOR TEMPERATE REGION

DESIGN BY:

TSUTOMU SAKAKIYAMA

YESHI LOTEY

SONAM TSEWANG

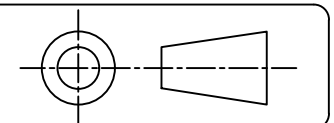
SONAM TOBGAY

NIDUP ZANGMO

TSSHERING DORJI

ENDORSED BY:

JIGME THINLYE  
NAMGYEL  
DIRECTOR GENERAL



DATE: 4/02/2020

SCALE: 1:100

PAGE NO.:8C



PROJECT TITLE:

CONSTRUCTION OF  
DZONGKHAG  
EMERGENCY  
OPERATION CENTER

DRAWING TITLE:

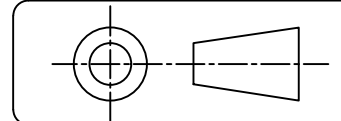
WOODEN  
WINDOW  
DETAILS

ARCHITECTURAL DRAWING  
FOR TEMPERATE REGION

DESIGN BY:  
TSUTOMU SAKAKIYAMA  
YESHI LOTEY  
SONAM TSEWANG  
SONAM TOBGAY  
NIDUP ZANGMO  
TSSHERING DORJI

ENDORSED BY:

JIGME THINLYE  
NAMGYEL  
DIRECTOR GENERAL

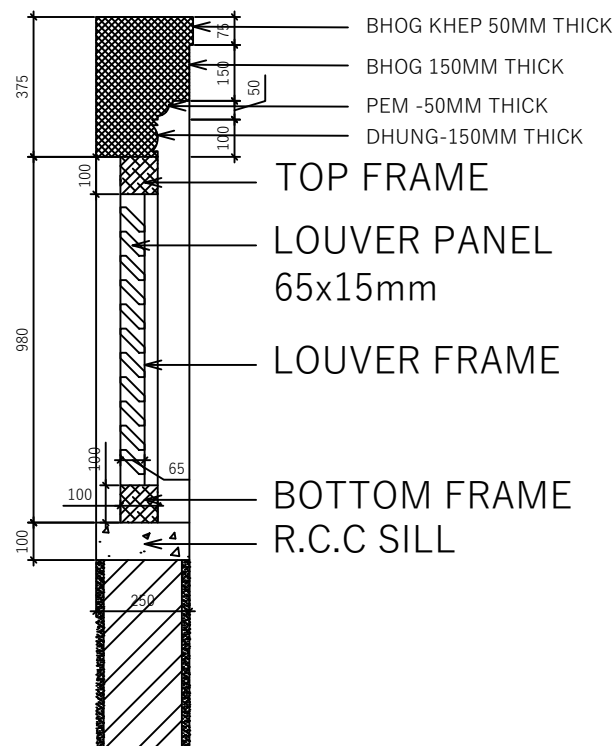
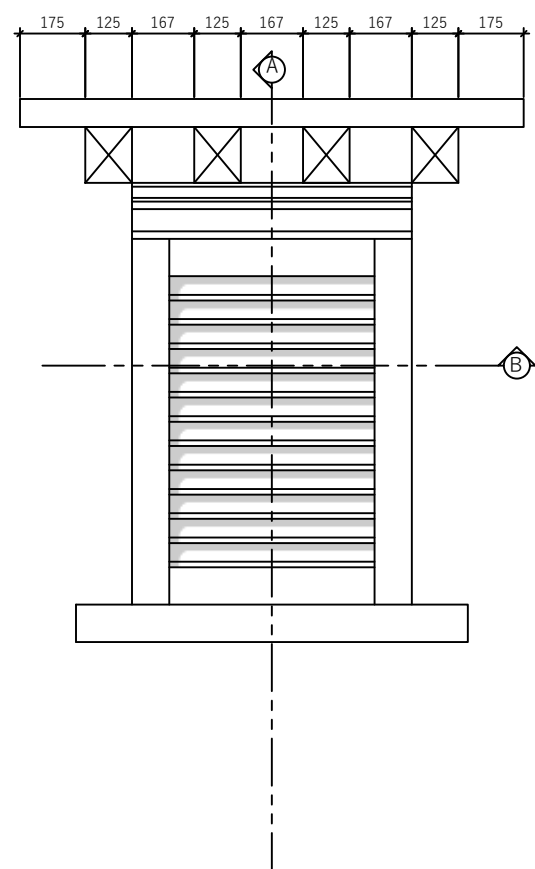


DATE: 4/02/2020

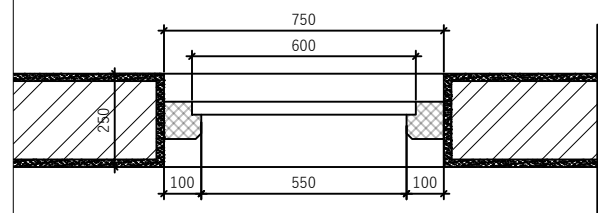
SCALE: 1:100

PAGE NO.:8D

V1 FRONT ELEVATION

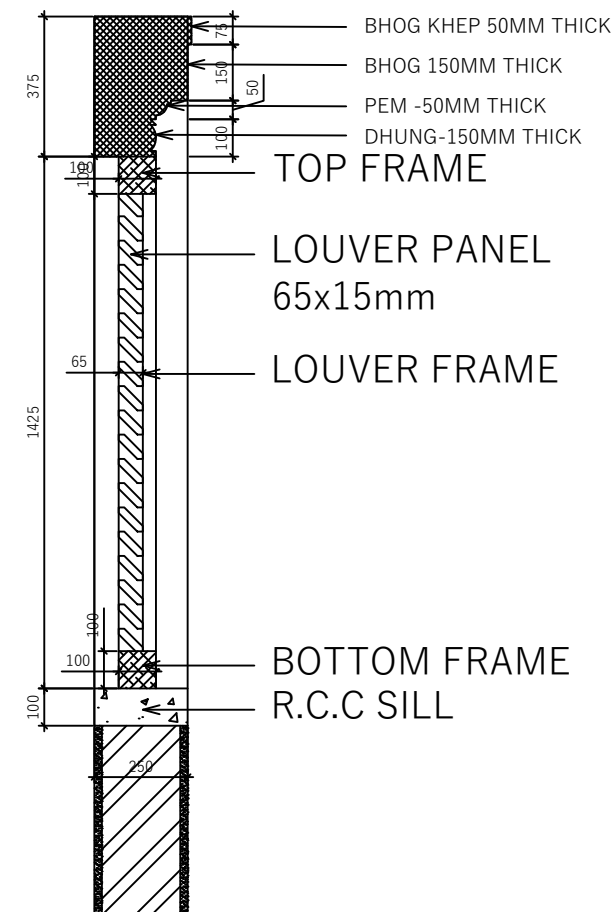
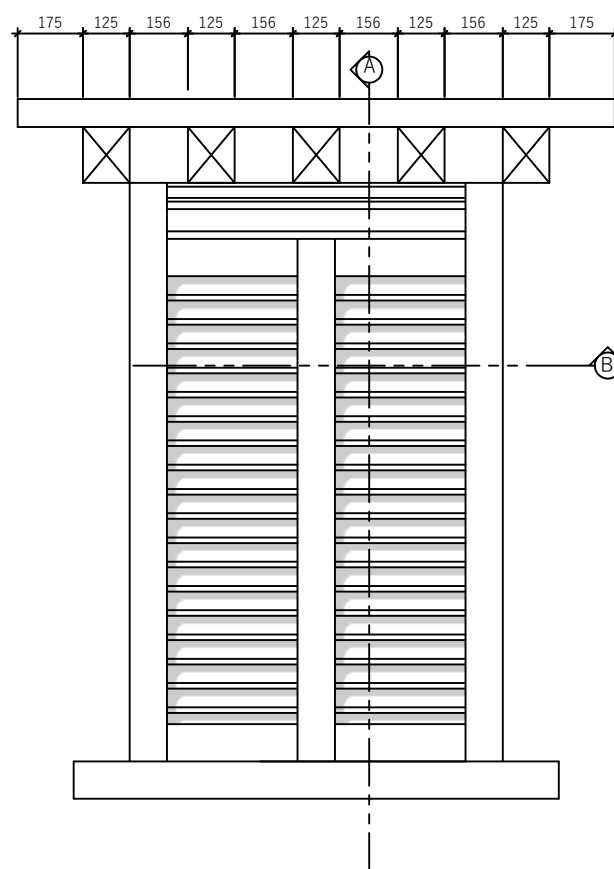


SECTION -A

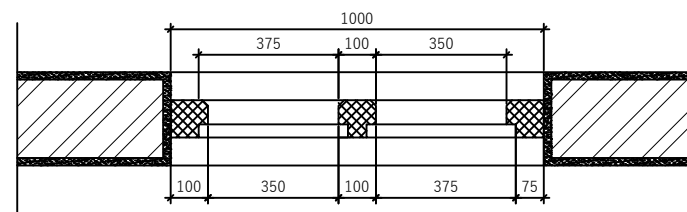


SECTION -B

V2 FRONT ELEVATION

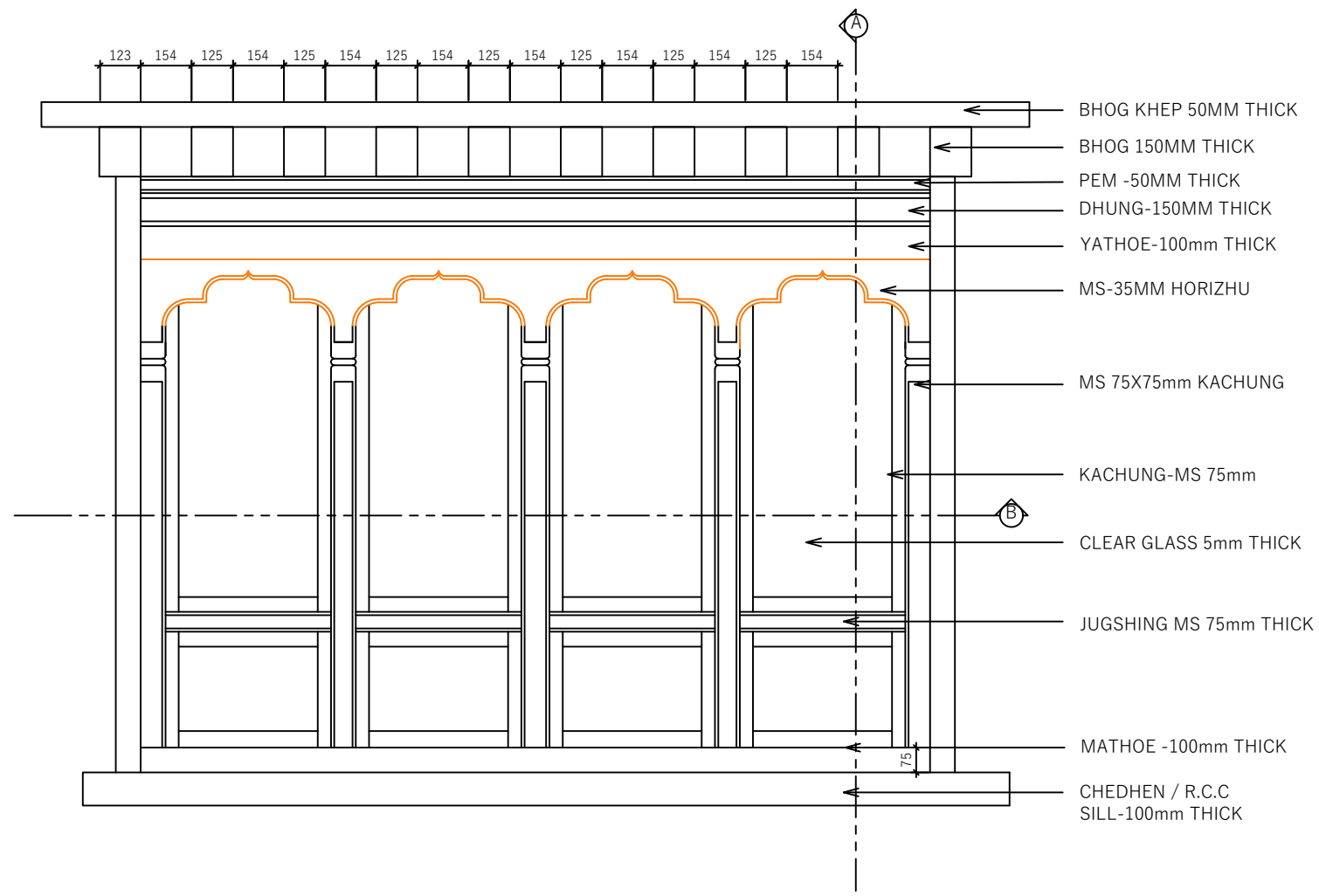


SECTION -A

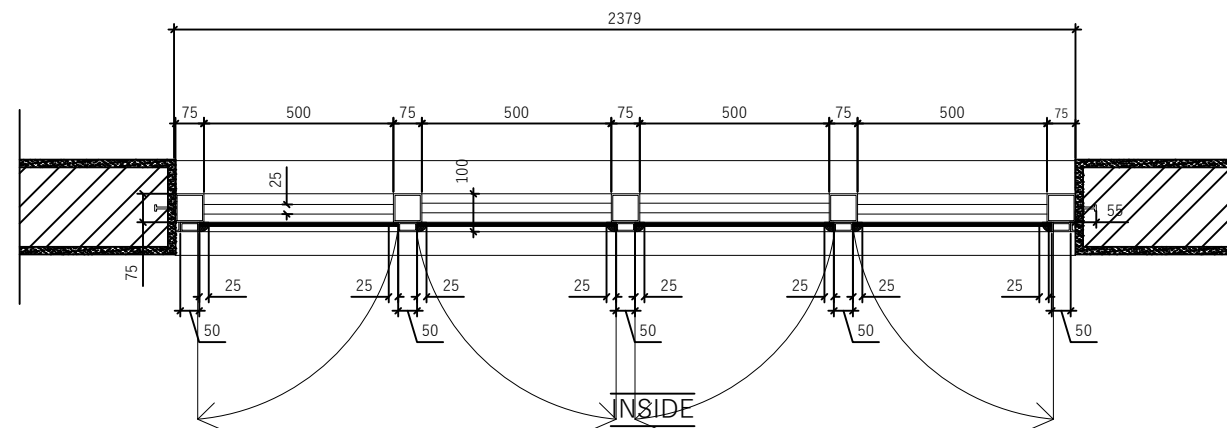


SECTION -B

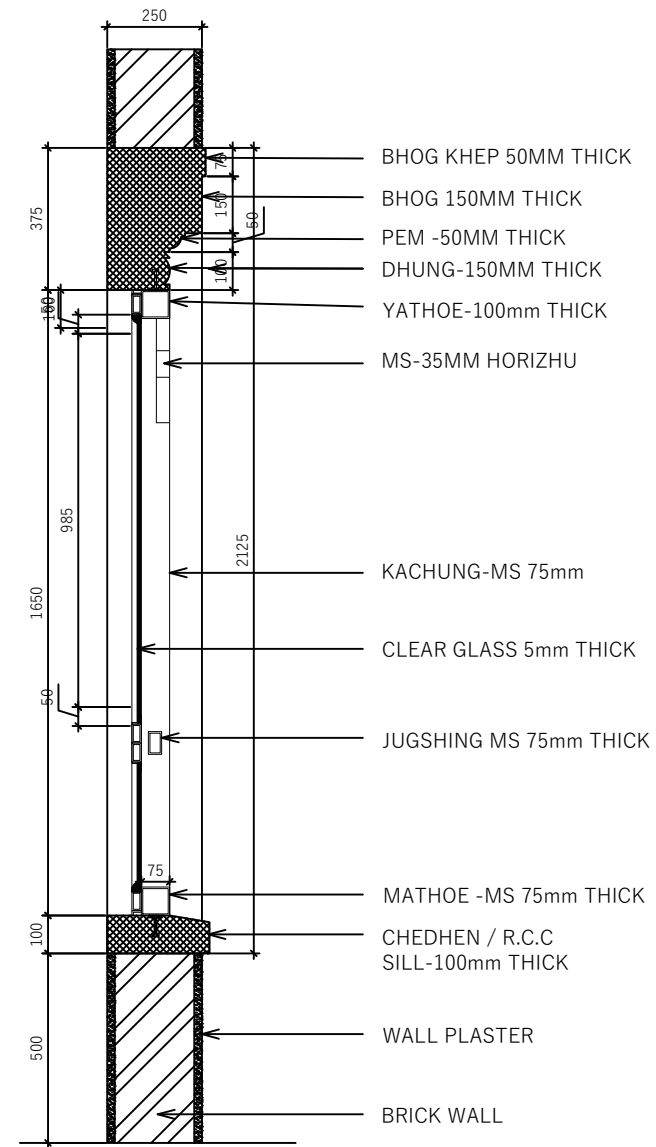
# W4 FRONT ELEVATION



OUTSIDE



## SECTION -B



## SECTION -A



PROJECT TITLE:

CONSTRUCTION OF  
DZONGKHAG  
EMERGENCY  
OPERATION CENTER

DRAWING TITLE:

STEEL WINDOW  
DETAILS

ARCHITECTURAL DRAWING  
FOR TEMPERATE REGION

DESIGN BY:

TSUTOMU SAKAKIYAMA

YESHI LOTEY

SONAM TSEHWANG

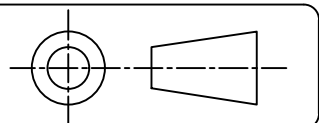
SONAM TOBGAY

NIDUP ZANGMO

TSSHERING DORJI

ENDORSED BY:

JIGME THINLYE  
NAMGYEL  
DIRECTOR GENERAL

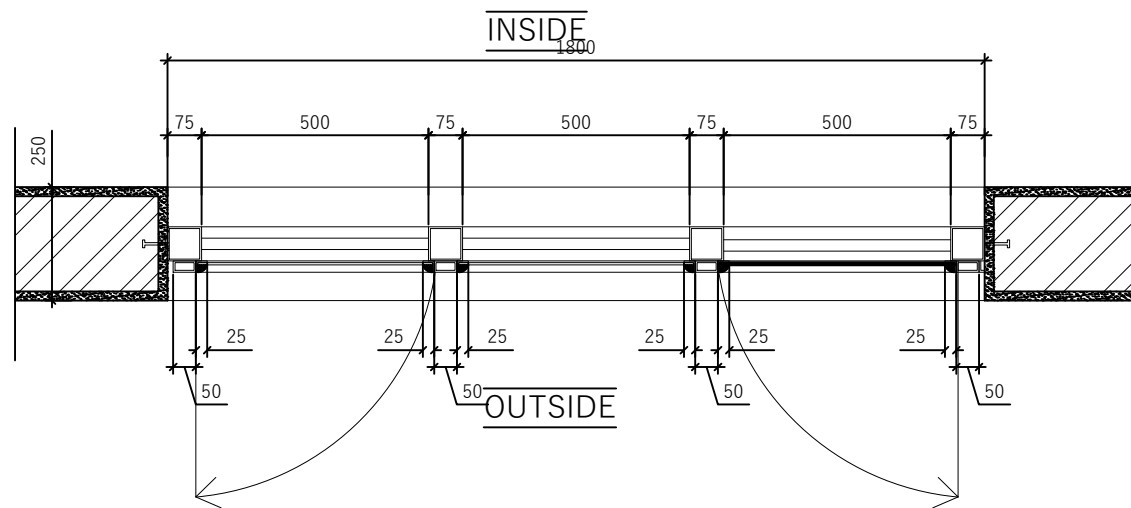
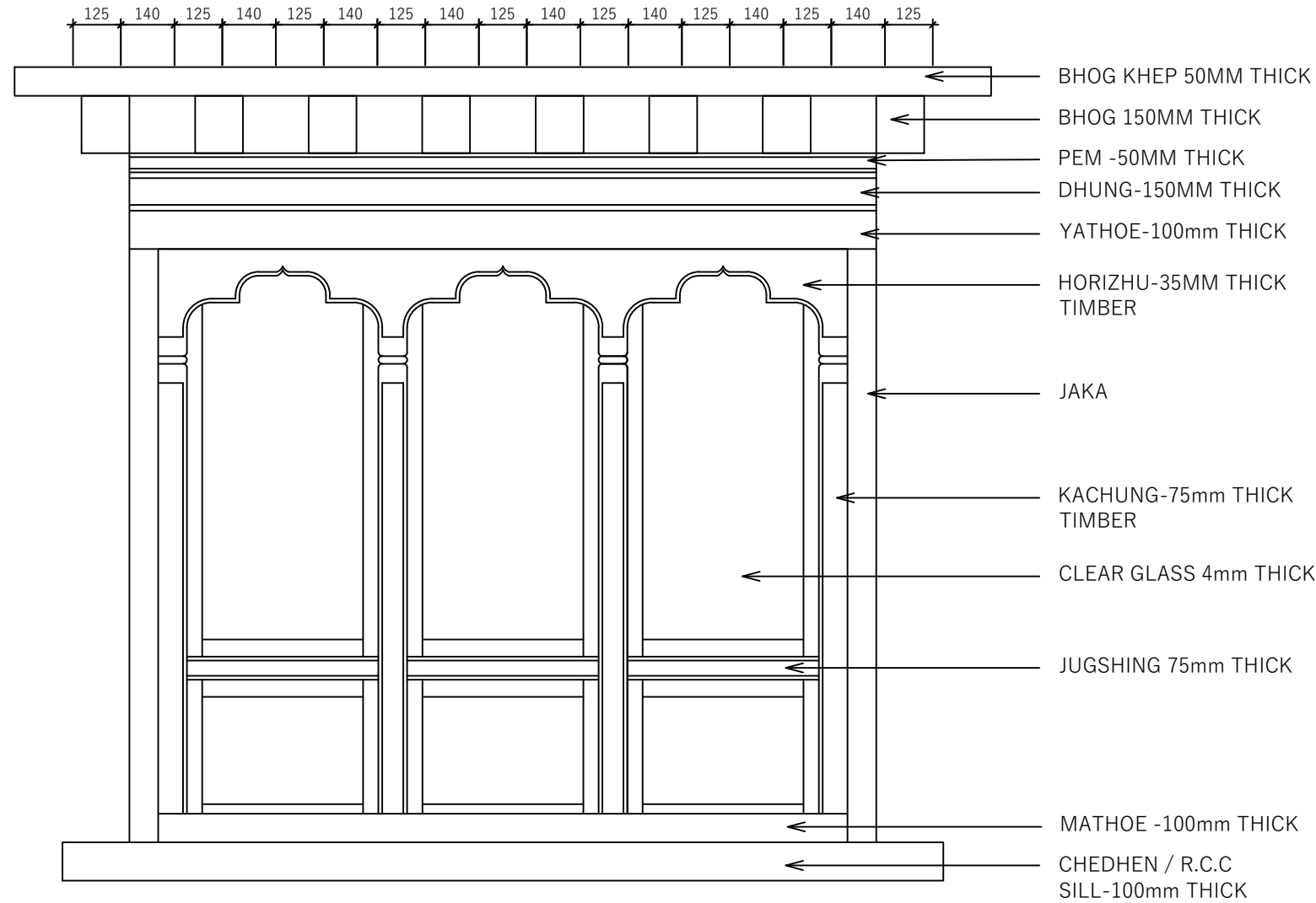


DATE: 4/02/2020

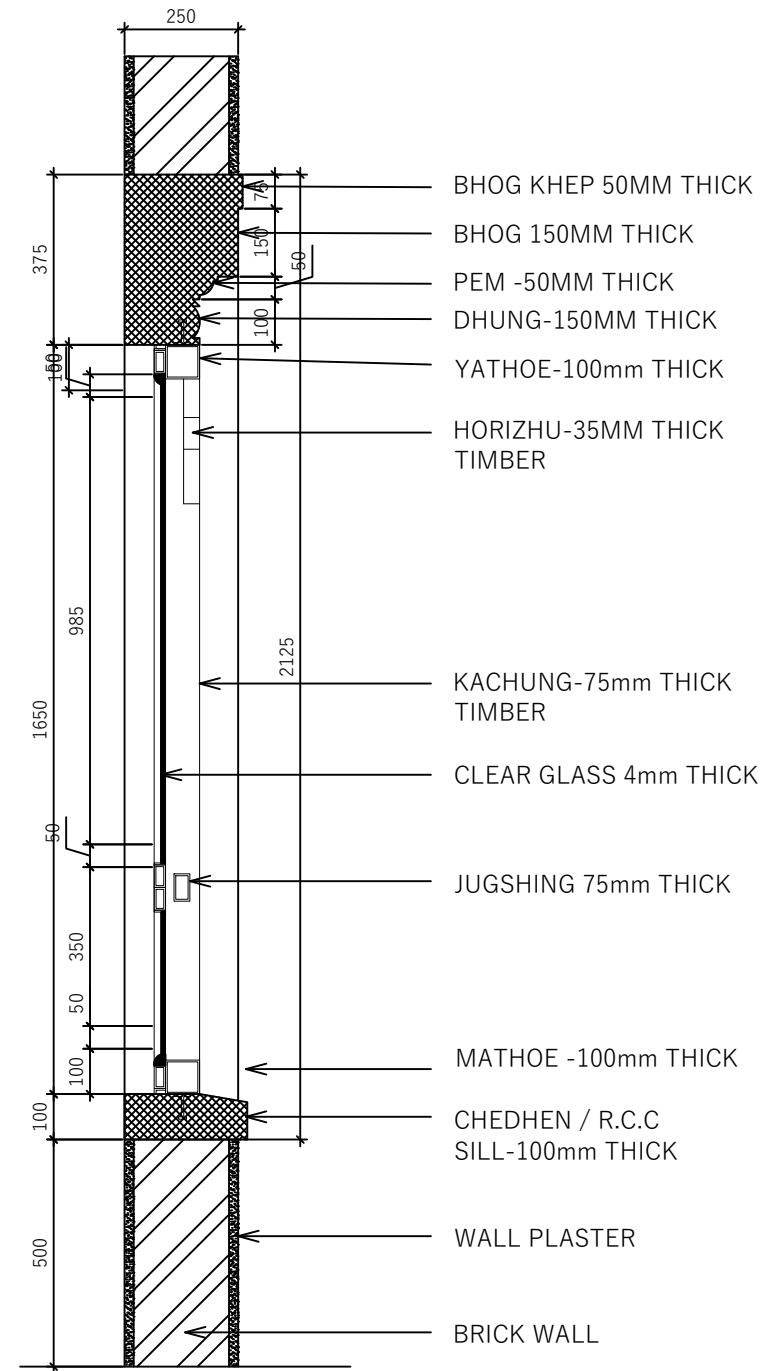
SCALE: 1:100

PAGE NO.:9A

# W3 FRONT ELEVATION



SECTION -B



SECTION -A



PROJECT TITLE:

CONSTRUCTION OF  
DZONGKHAG  
EMERGENCY  
OPERATION CENTER

DRAWING TITLE:

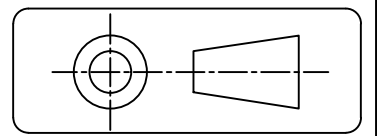
STEEL WINDOW  
DETAILS

ARCHITECTURAL DRAWING  
FOR TEMPERATE REGION

DESIGN BY:  
 TSUTOMU SAKAKIYAMA  
 YESHI LOTEY  
 SONAM TSEHWANG  
 SONAM TOBGAY  
 NIDUP ZANGMO  
 TSHERING DORJI

ENDORSED BY:

JIGME THINLYE  
NAMGYEL  
DIRECTOR GENERAL



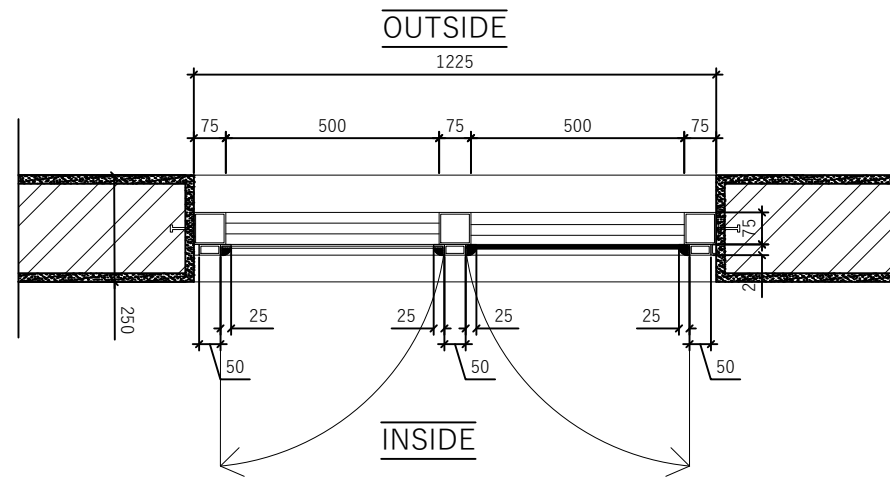
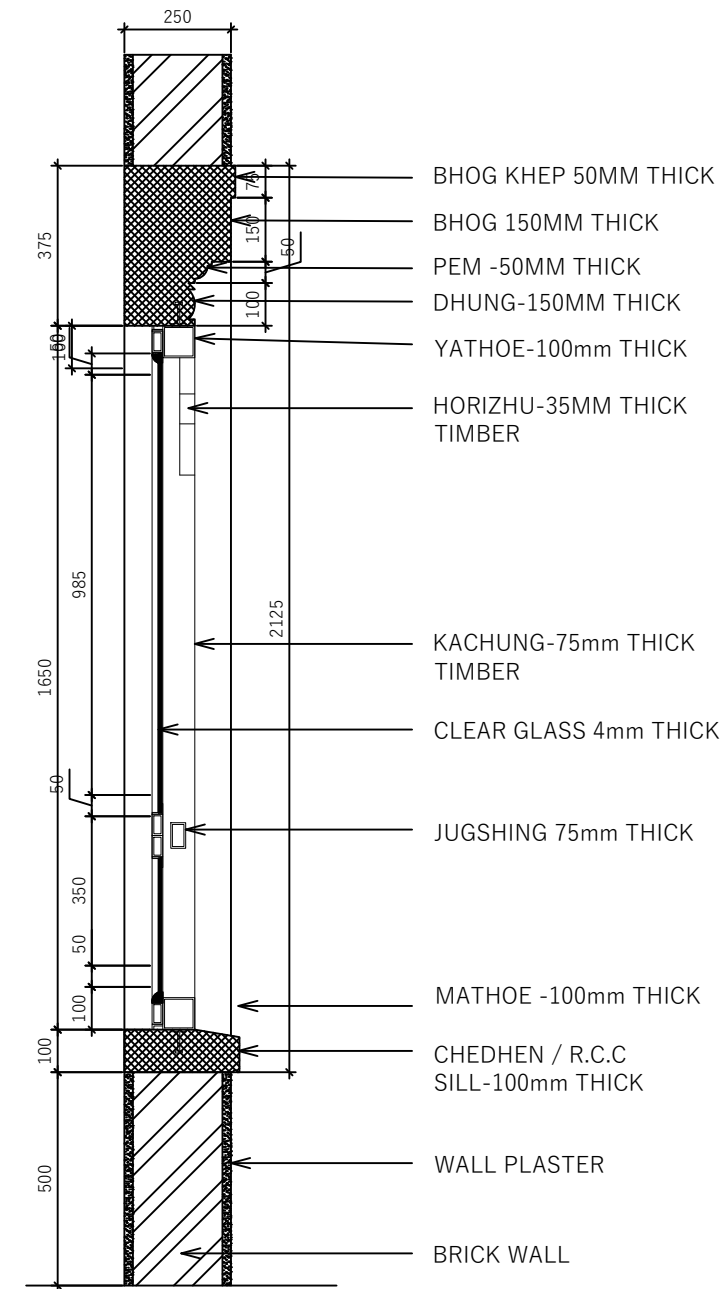
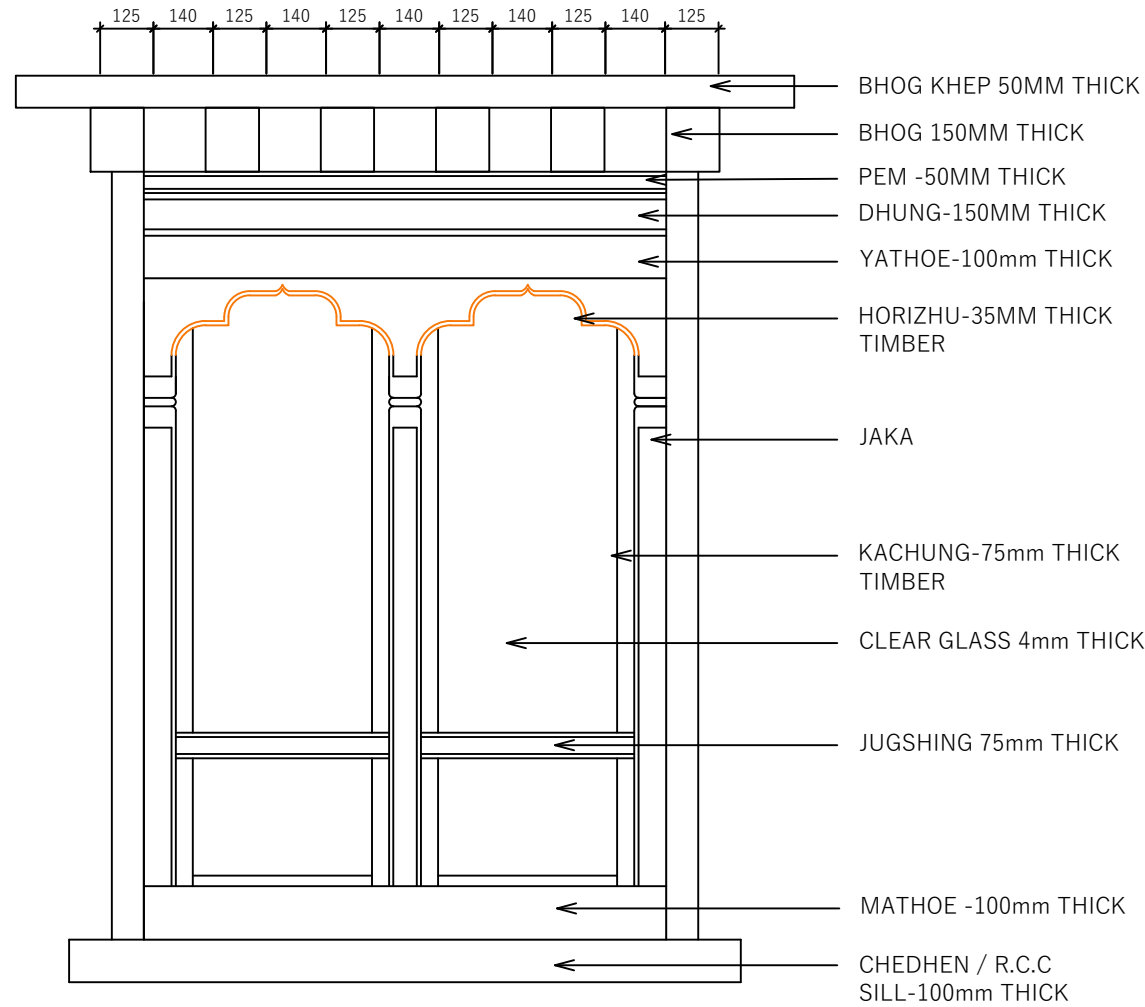
DATE: 4/02/2020

SCALE: 1:100

PAGE NO.:9B



# W2 FRONT ELEVATION



SECTION -B

SECTION -A



PROJECT TITLE:

CONSTRUCTION OF  
DZONGKHAG  
EMERGENCY  
OPERATION CENTER

DRAWING TITLE:

STEEL WINDOW  
DETAILS

ARCHITECTURAL DRAWING  
FOR TEMPERATE REGION

DESIGN BY:

TSUTOMU SAKAKIYAMA

YESHI LOTEY

SONAM TSEHWANG

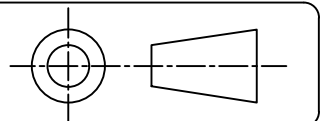
SONAM TOBGAY

NIDUP ZANGMO

TSSHERING DORJI

ENDORSED BY:

JIGME THINLYE  
NAMGYEL  
DIRECTOR GENERAL



DATE: 4/02/2020

SCALE: 1:100

PAGE NO.:9C



PROJECT TITLE:

CONSTRUCTION OF  
DZONGKHAG  
EMERGENCY  
OPERATION CENTER

DRAWING TITLE:

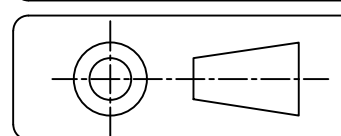
STEEL WINDOW  
DETAILS

ARCHITECTURAL DRAWING  
FOR TEMPERATE REGION

DESIGN BY:  
TSUTOMU SAKAKIYAMA  
YESHI LOTEY  
SONAM TSEHWANG  
SONAM TOBGAY  
NIDUP ZANGMO  
TSSHERING DORJI

ENDORSED BY:

JIGME THINLYE  
NAMGYEL  
DIRECTOR GENERAL

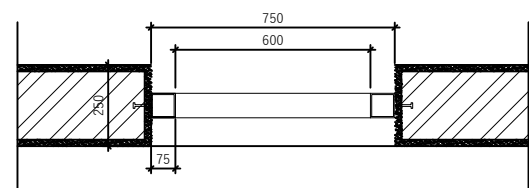
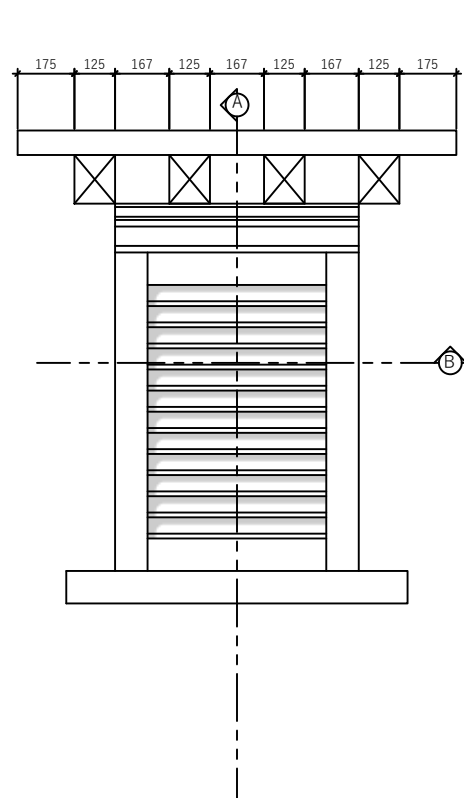


DATE: 4/02/2020

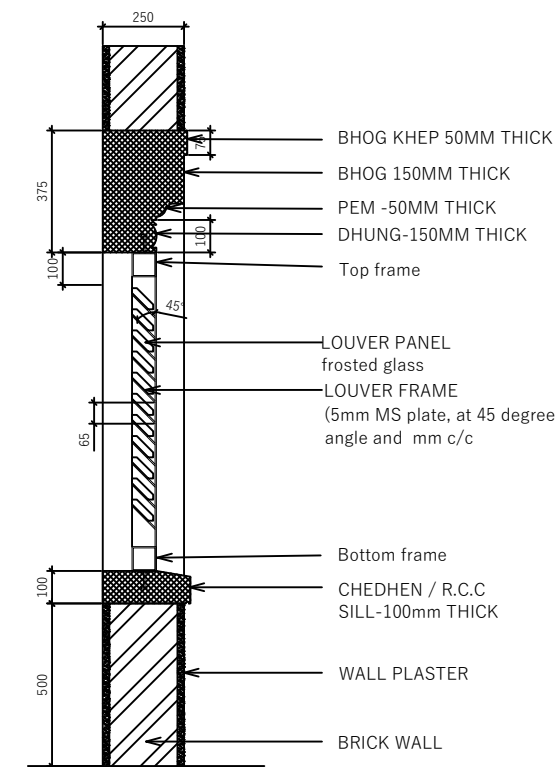
SCALE: 1:100

PAGE NO.:9D

V1 FRONT ELEVATION

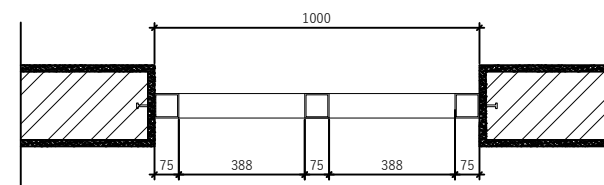
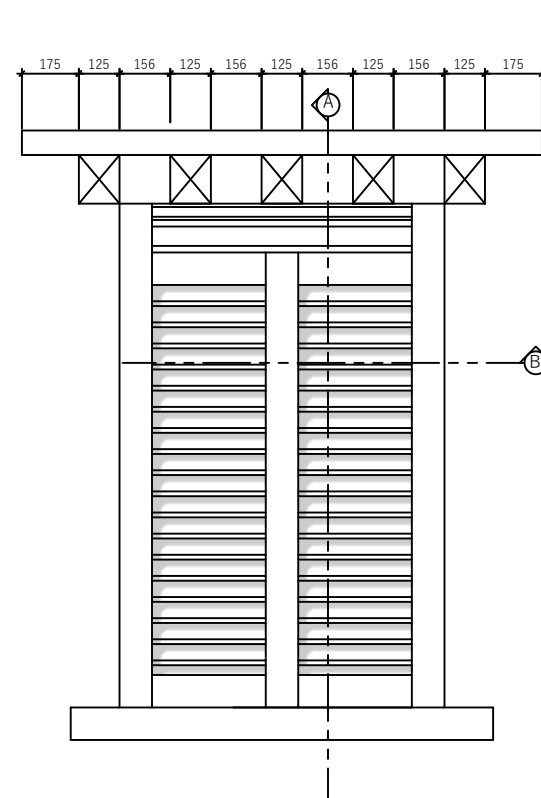


SECTION -B

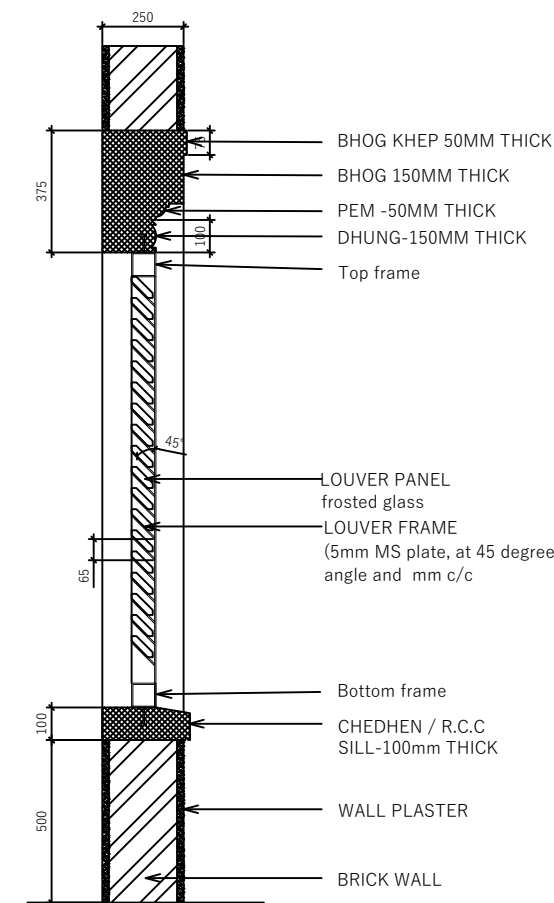


SECTION -A

V2 FRONT ELEVATION



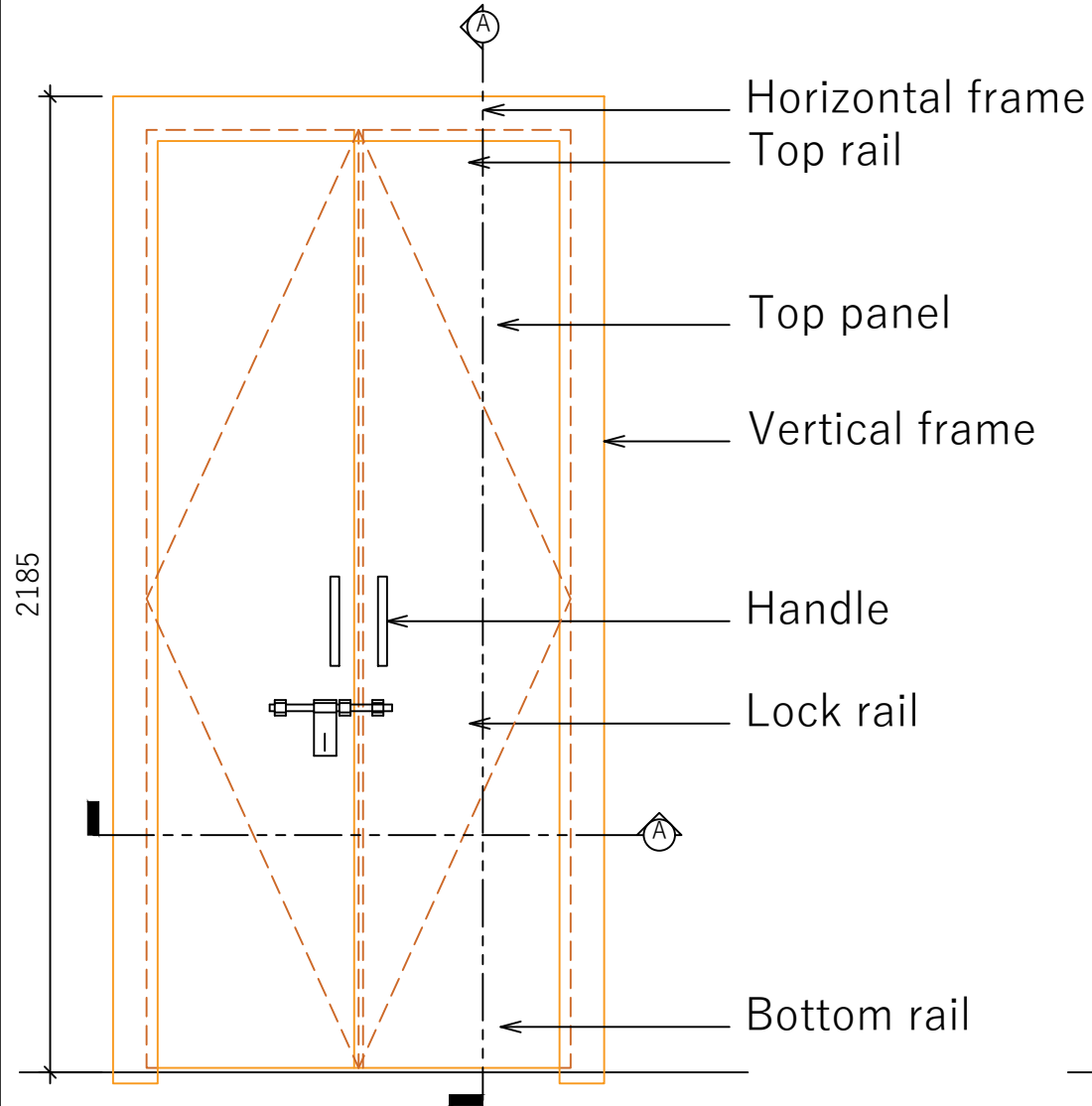
< SECTION -B



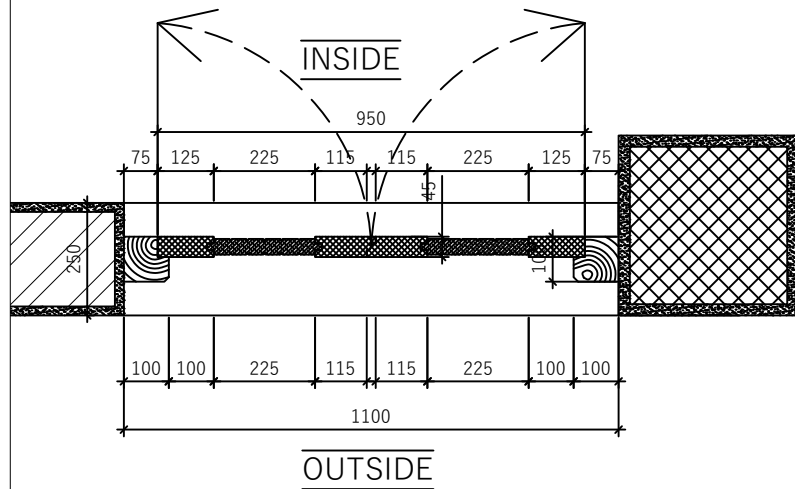
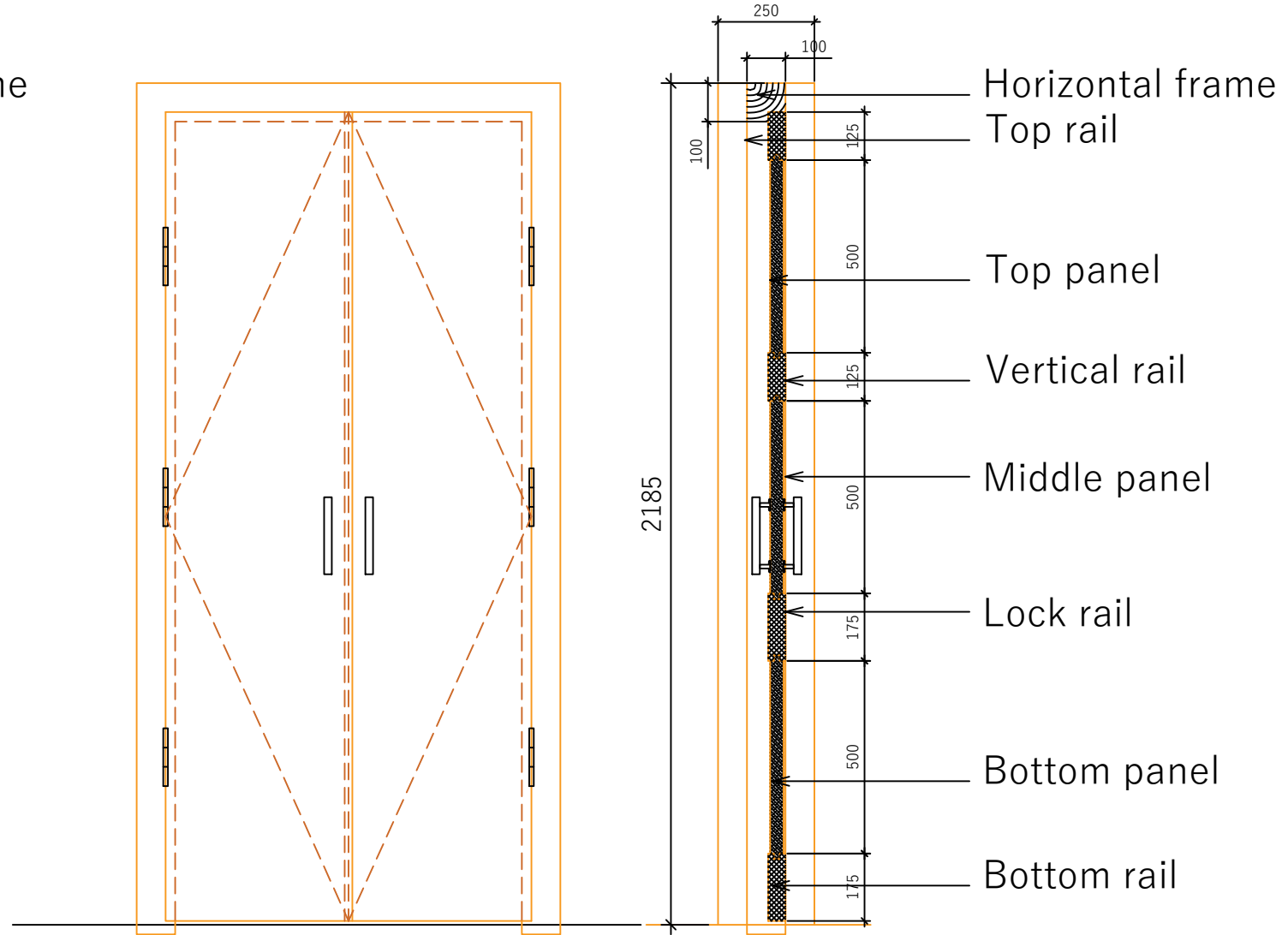
SECTION -A

# Door- D1

Front elevation



Back elevation



PROJECT TITLE:

CONSTRUCTION OF  
DZONGKHAG  
EMERGENCY  
OPERATION CENTER

DRAWING TITLE:

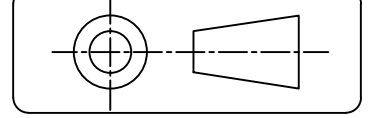
WOODEN DOORS  
DETAILS

ARCHITECTURAL DRAWING  
FOR TEMPERATE REGION

DESIGN BY:  
TSUTOMU SAKAKIYAMA  
YESHI LOTEY  
SONAM TSEHWANG  
SONAM TOBGAY  
NIDUP ZANGMO  
TSHERING DORJI

ENDORSED BY:

JIGME THINLYE  
NAMGYEL  
DIRECTOR GENERAL



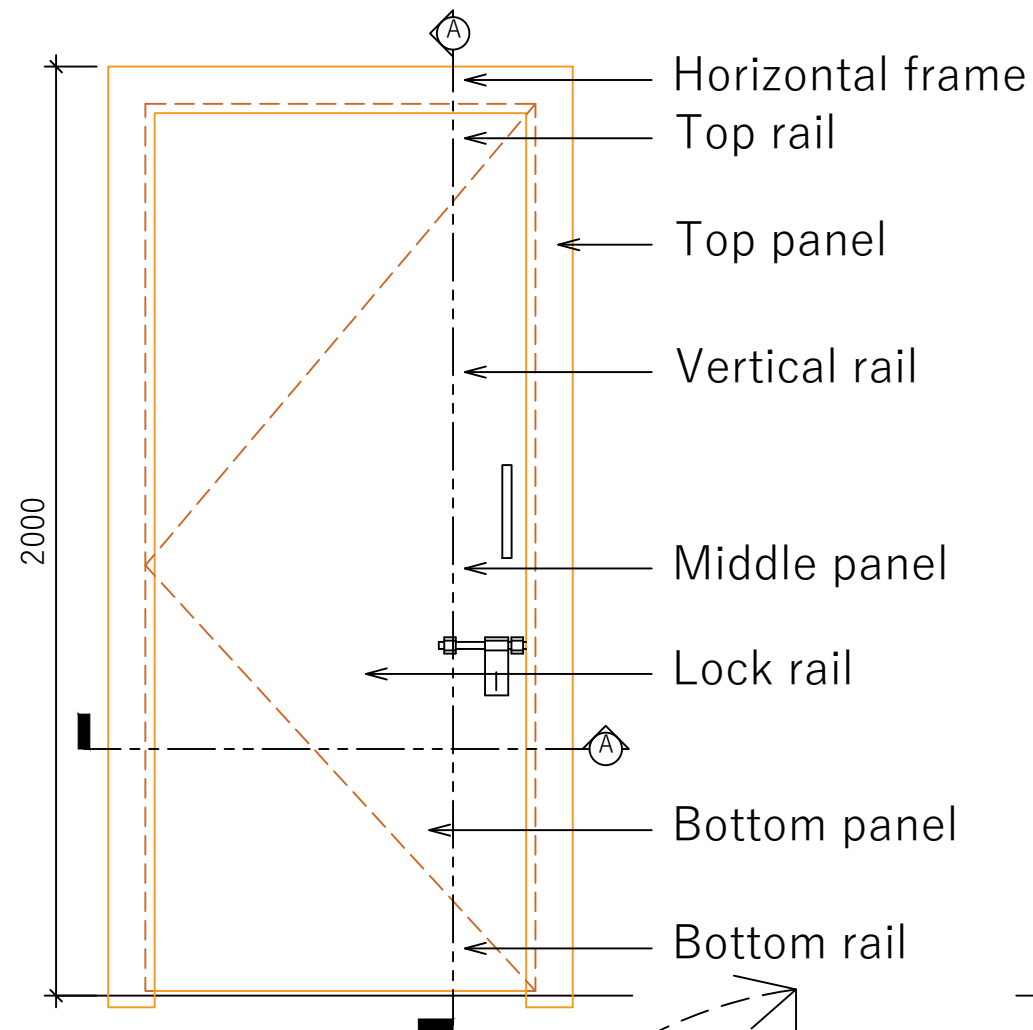
DATE: 4/02/2020

SCALE: 1:100

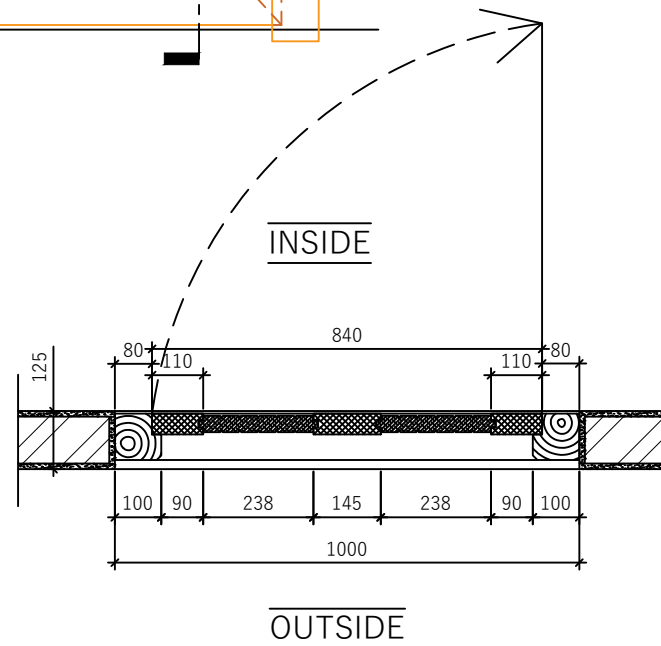
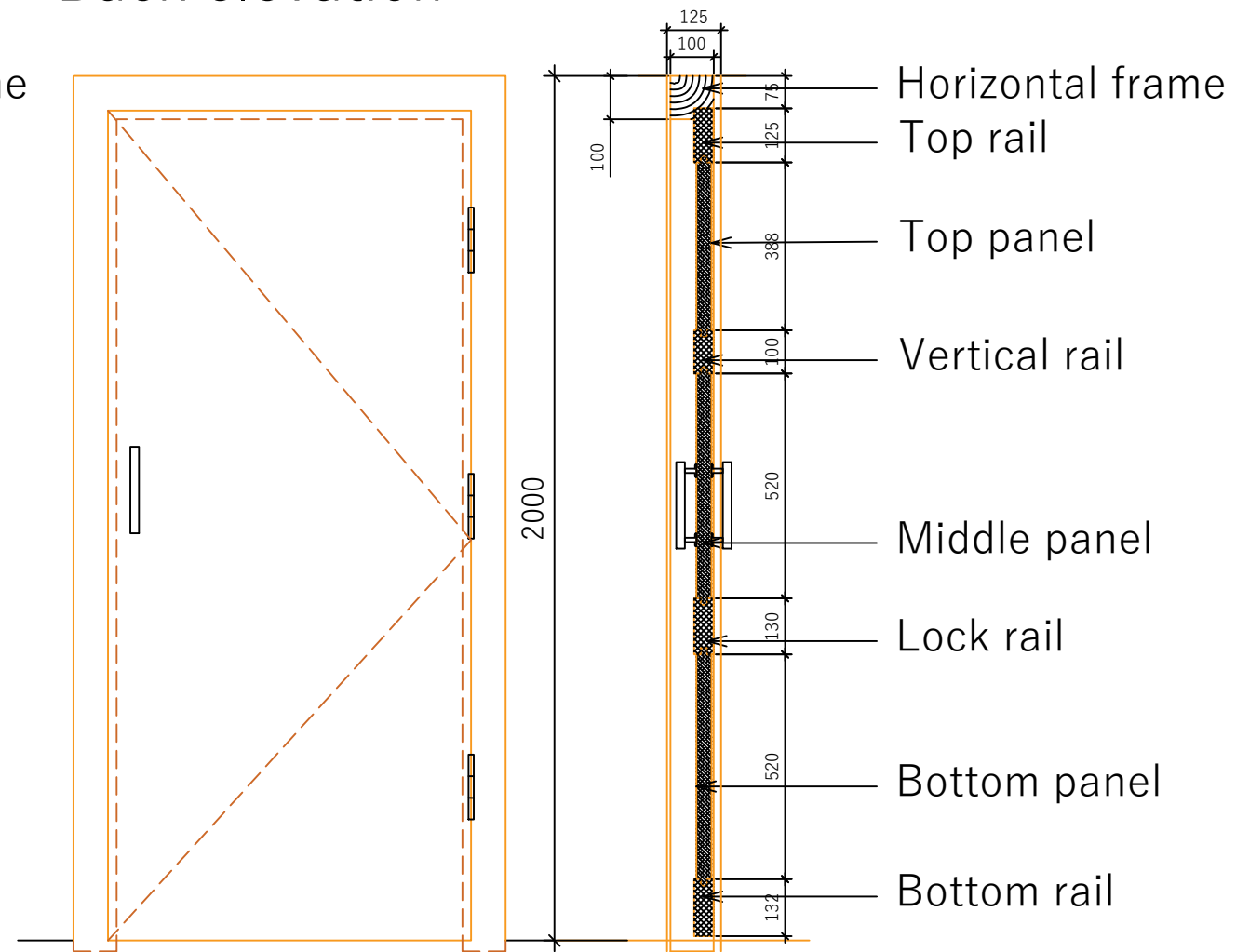
PAGE NO.:10A

# Door- D2

Front elevation



Back elevation



PROJECT TITLE:

CONSTRUCTION OF  
 DZONGKHAG  
 EMERGENCY  
 OPERATION CENTER

DRAWING TITLE:

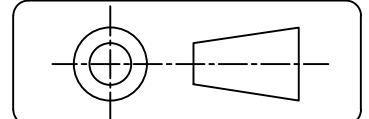
WOODEN DOORS  
 DETAILS

ARCHITECTURAL DRAWING  
 FOR TEMPERATE REGION

DESIGN BY:  
 TSUTOMU SAKAKIYAMA  
 YESHI LOTEY  
 SONAM TSEWANG  
 SONAM TOBGAY  
 NIDUP ZANGMO  
 TSHERING DORJI

ENDORSED BY:

JIGME THINLYE  
 NAMGYEL  
 DIRECTOR GENERAL



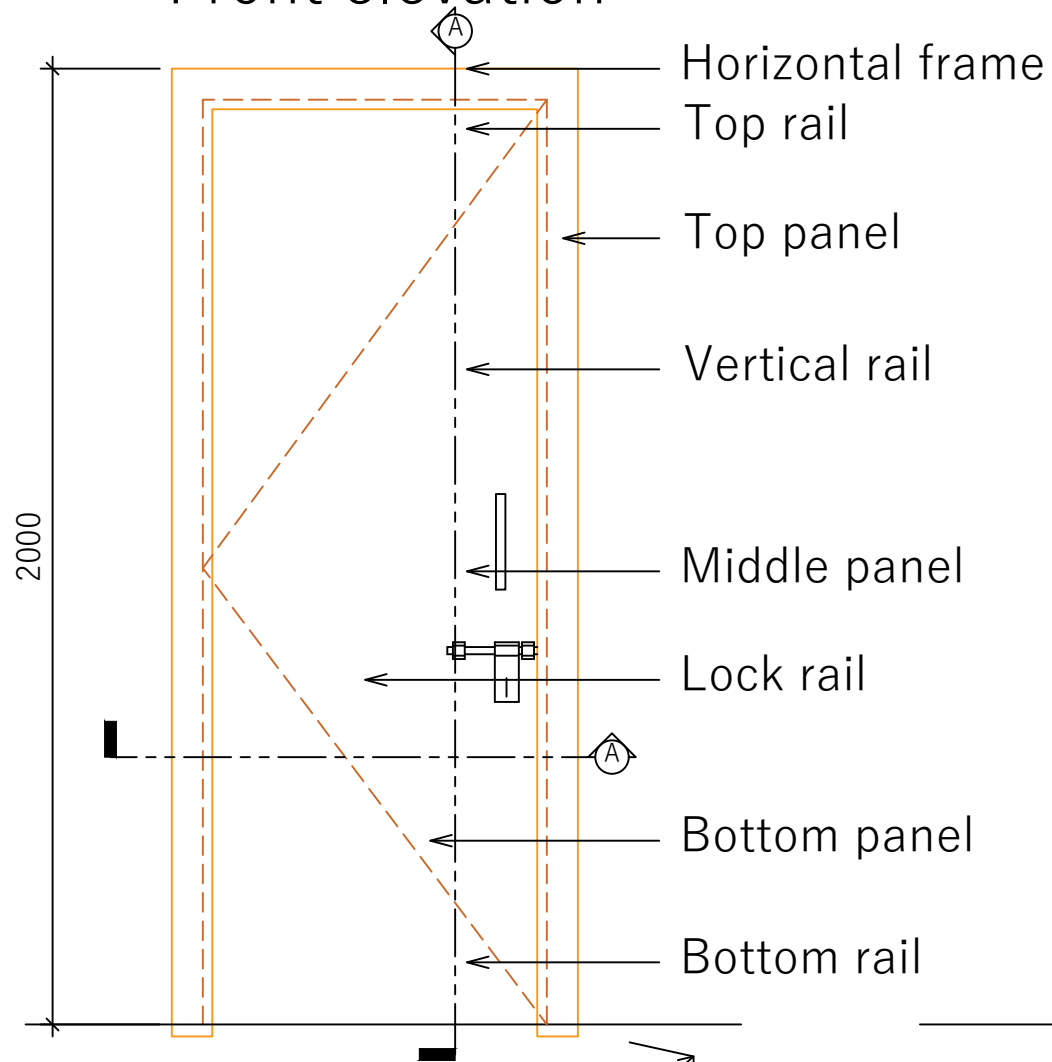
DATE: 4/02/2020

SCALE: 1:100

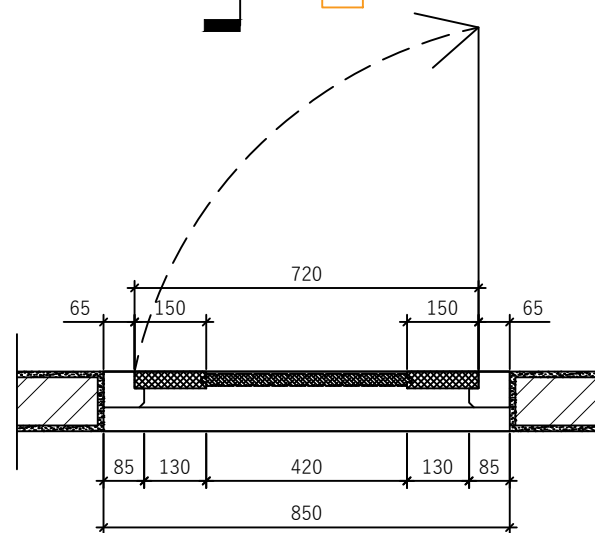
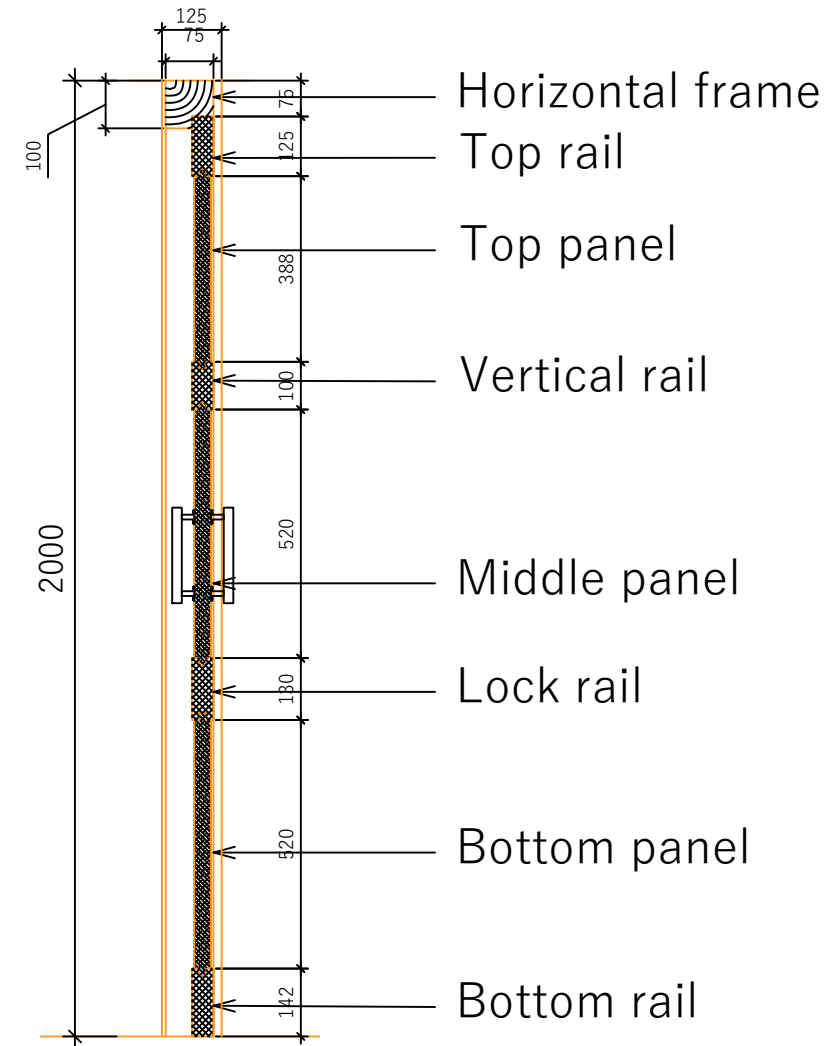
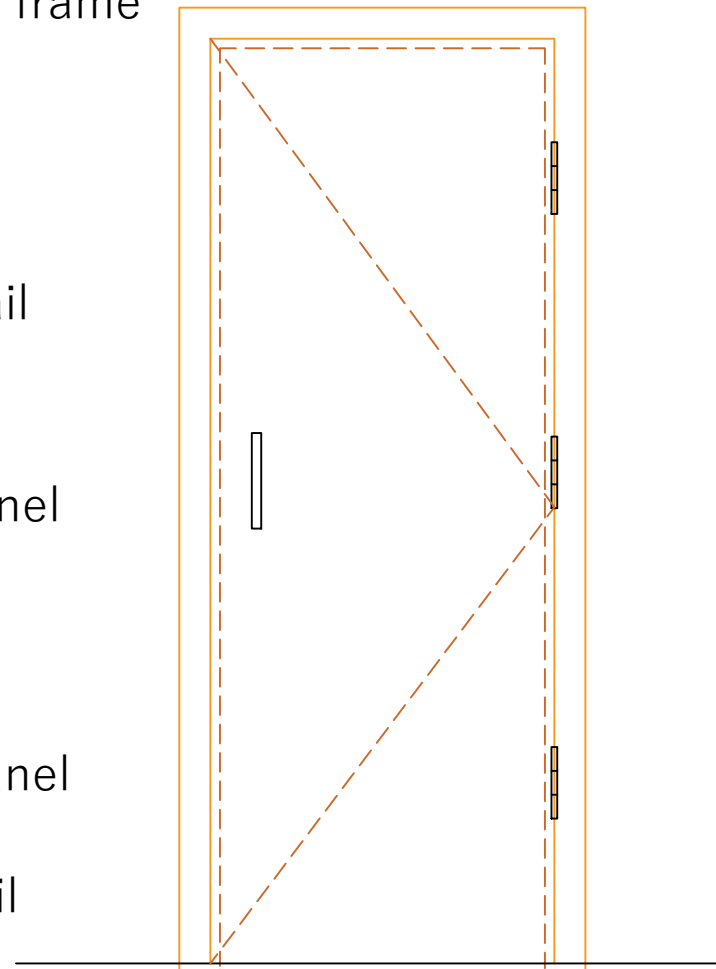
PAGE NO.:10B

# Door- D3

Front elevation



Back elevation



PROJECT TITLE:

CONSTRUCTION OF  
DZONGKHAG  
EMERGENCY  
OPERATION CENTER

DRAWING TITLE:

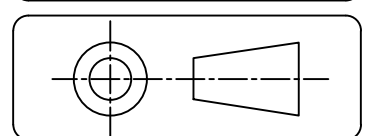
WOODEN DOORS  
DETAILS

ARCHITECTURAL DRAWING  
FOR TEMPERATE REGION

DESIGN BY:  
TSUTOMU SAKAKIYAMA  
YESHI LOTEY  
SONAM TSHEWANG  
SONAM TOBGAY  
NIDUP ZANGMO  
TSHERING DORJI

ENDORSED BY:

JIGME THINLYE  
NAMGYEL  
DIRECTOR GENERAL



DATE: 4/02/2020

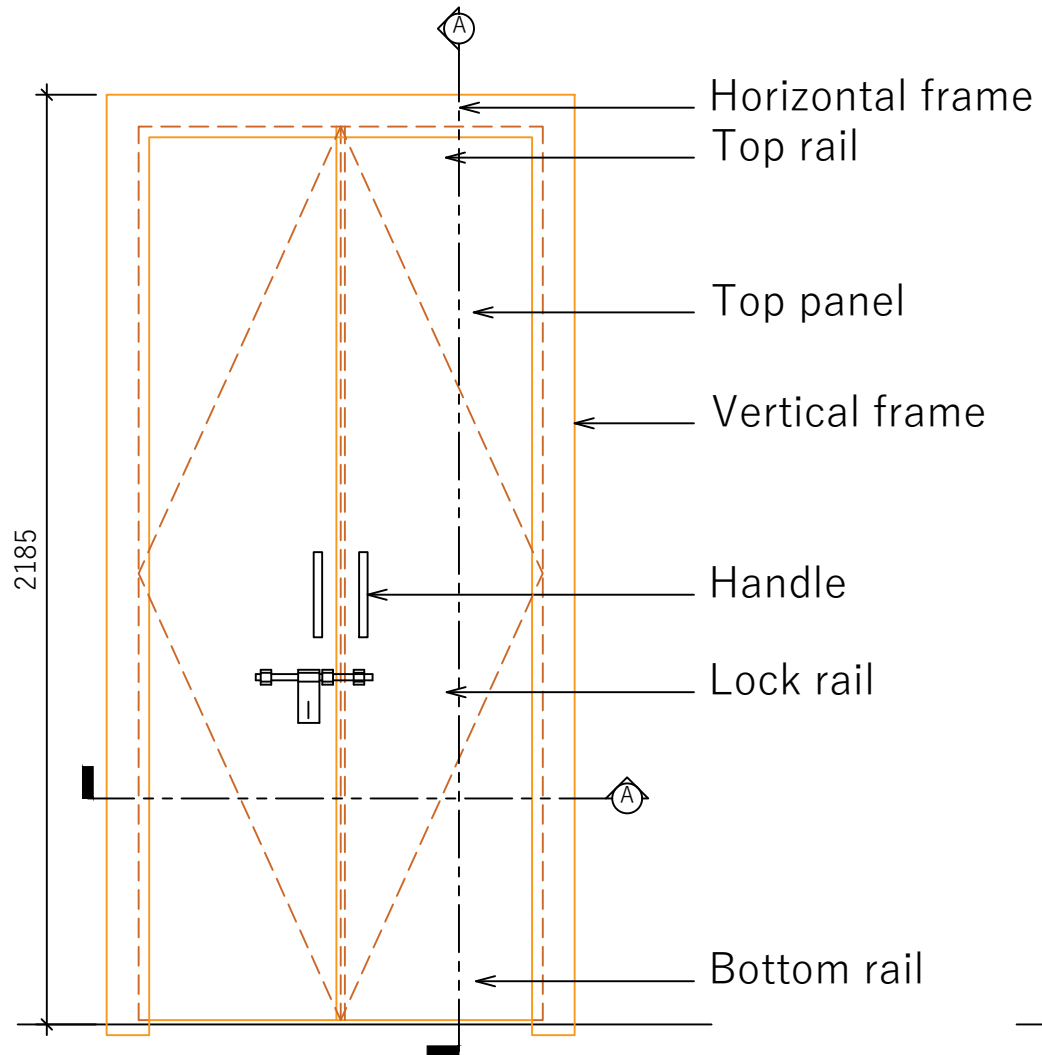
SCALE: 1:100

PAGE NO.:10C

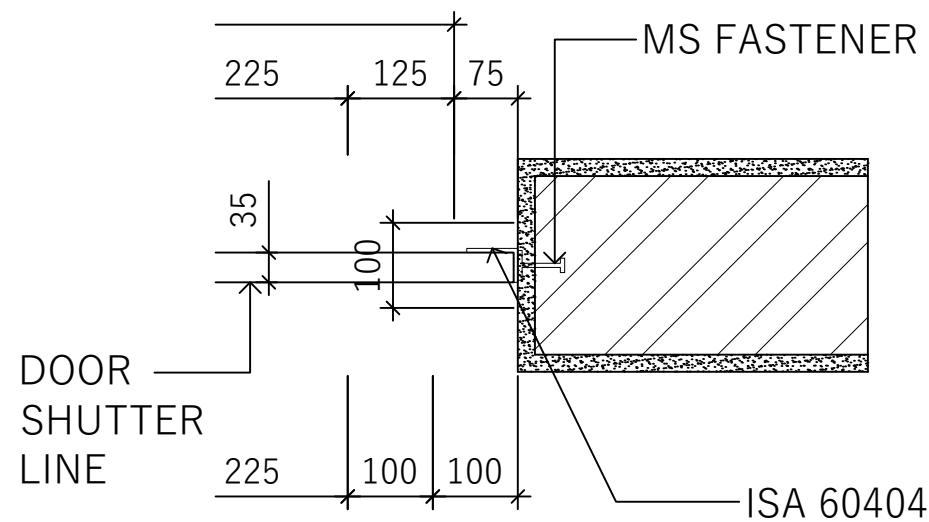
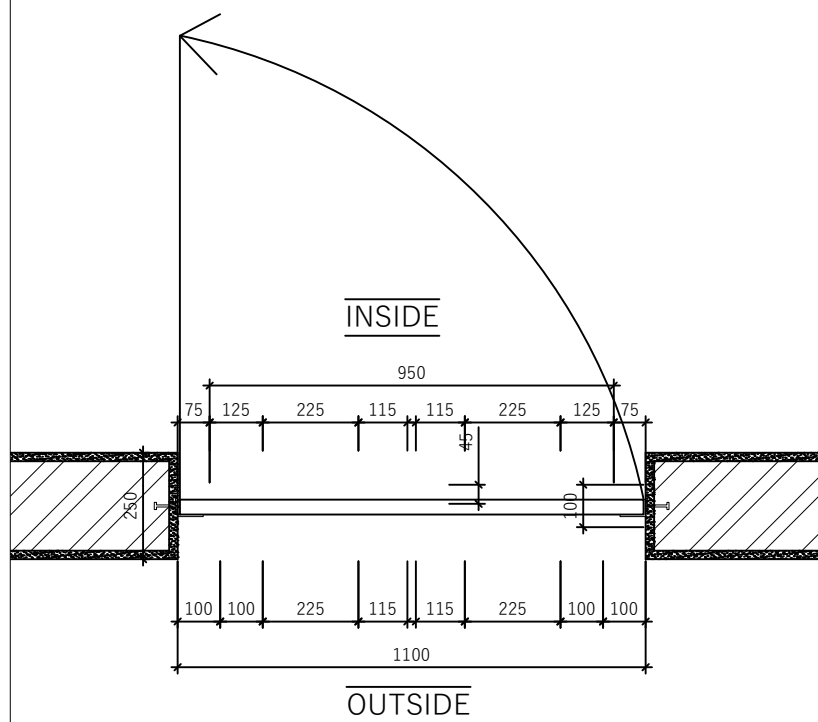
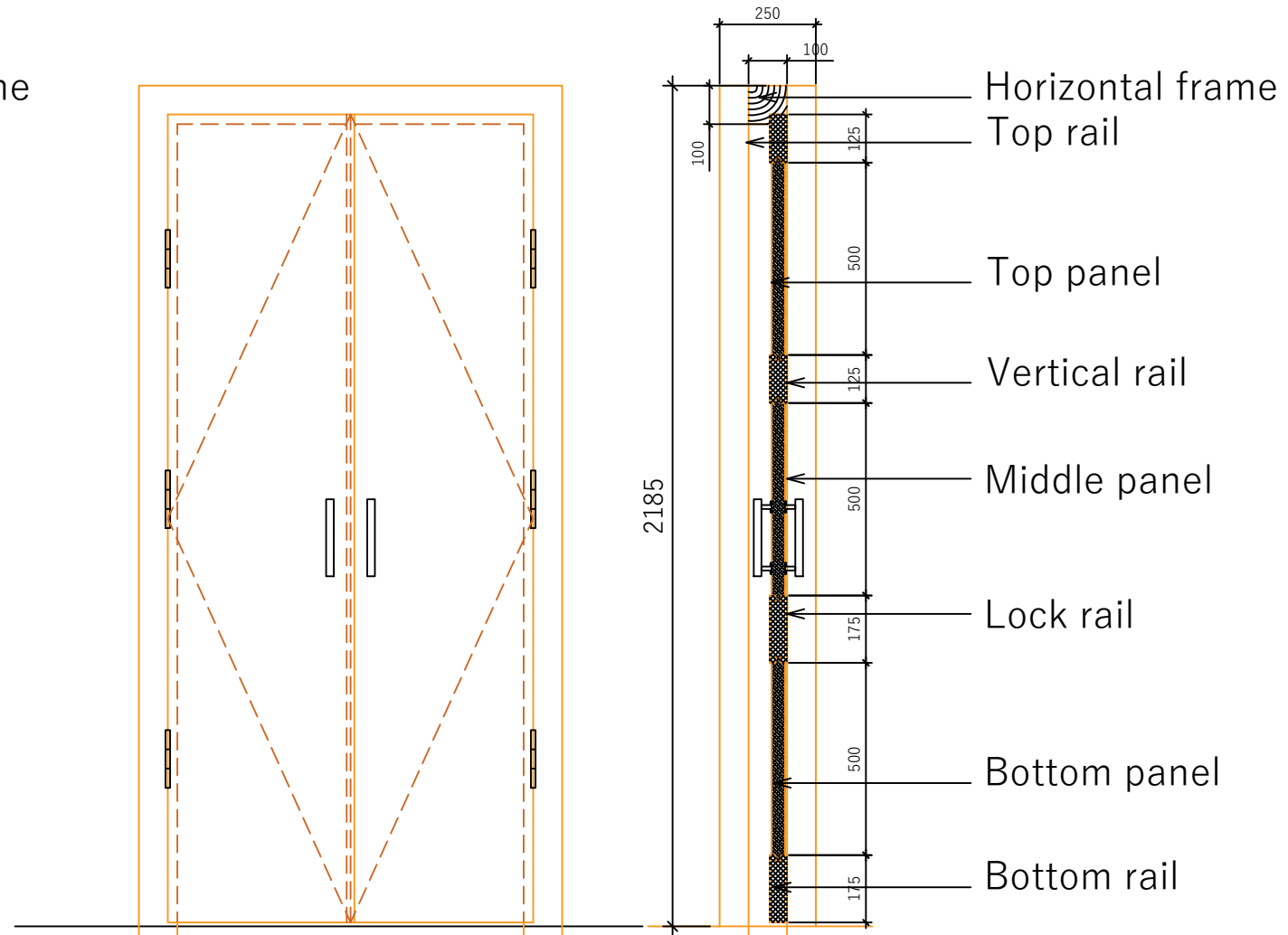


# Door- D1

Front elevation



# Back elevation



PROJECT TITLE:

CONSTRUCTION OF  
DZONGKHAG  
EMERGENCY  
OPERATION CENTER

DRAWING TITLE:

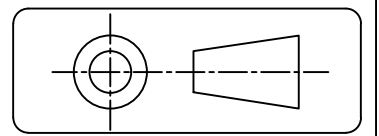
STEEL DOORS  
DETAILS

ARCHITECTURAL DRAWING  
FOR TEMPERATE REGION

DESIGN BY:  
TSUTOMU SAKAKIYAMA  
YESHI LOTEY  
SONAM TSEWANG  
SONAM TOBGAY  
NIDUP ZANGMO  
TSHERING DORJI

ENDORSED BY:

JIGME THINLYE  
NAMGYEL  
DIRECTOR GENERAL



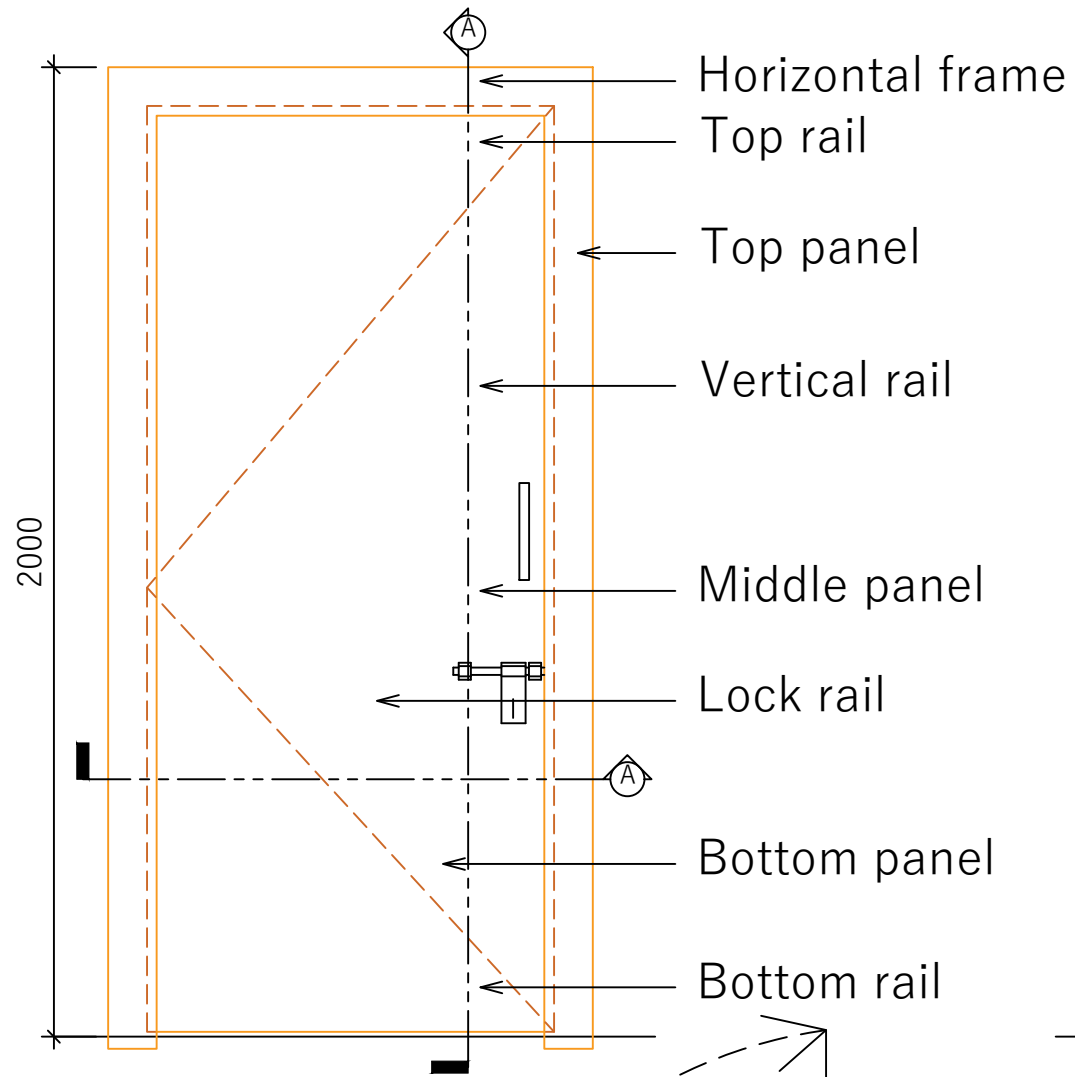
DATE: 4/02/2020

SCALE: 1:100

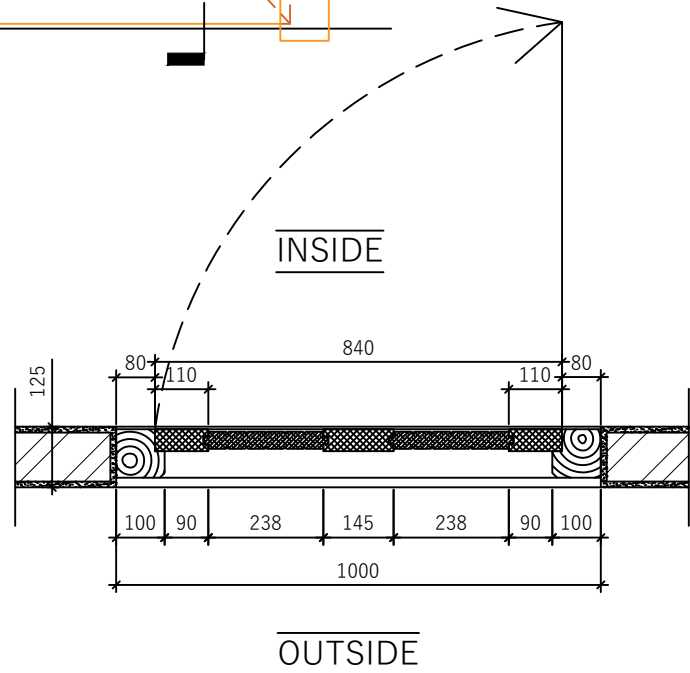
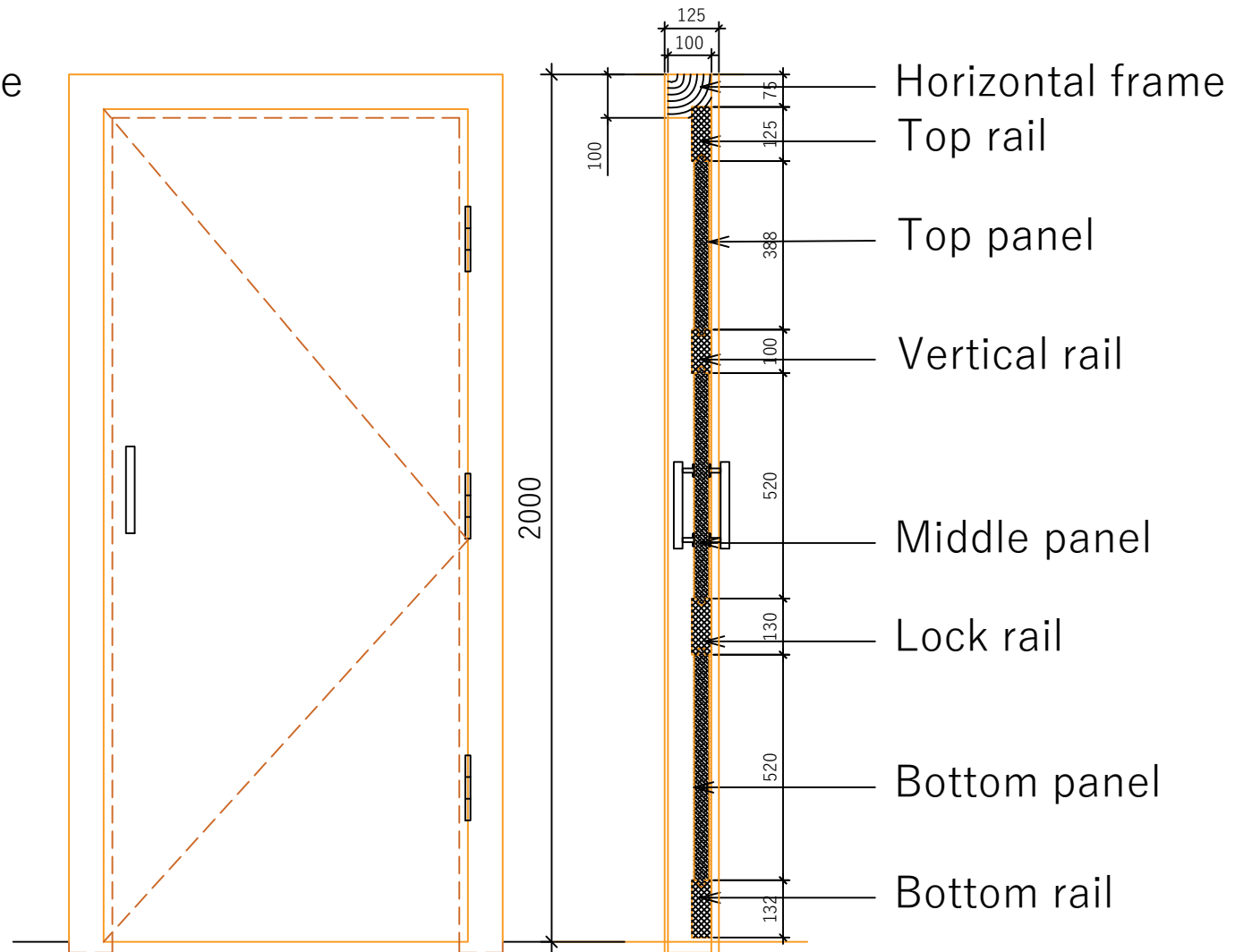
PAGE NO.:11A

# Door- D2

Front elevation



Back elevation



PROJECT TITLE:

CONSTRUCTION OF  
 DZONGKHAG  
 EMERGENCY  
 OPERATION CENTER

DRAWING TITLE:

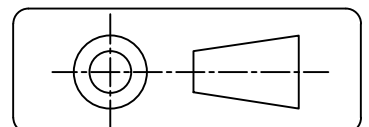
STEEL DOORS  
 DETAILS

ARCHITECTURAL DRAWING  
 FOR TEMPERATE REGION

DESIGN BY:  
 TSUTOMU SAKAKIYAMA  
 YESHI LOTEY  
 SONAM TSEWANG  
 SONAM TOBGAY  
 NIDUP ZANGMO  
 TSHERING DORJI

ENDORSED BY:

JIGME THINLYE  
 NAMGYEL  
 DIRECTOR GENERAL



DATE: 4/02/2020

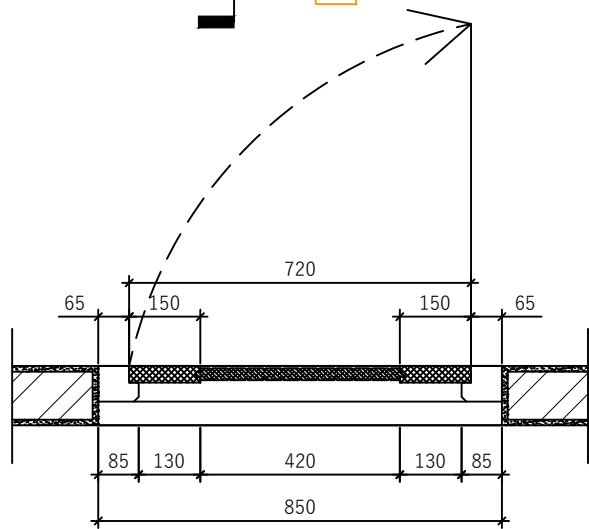
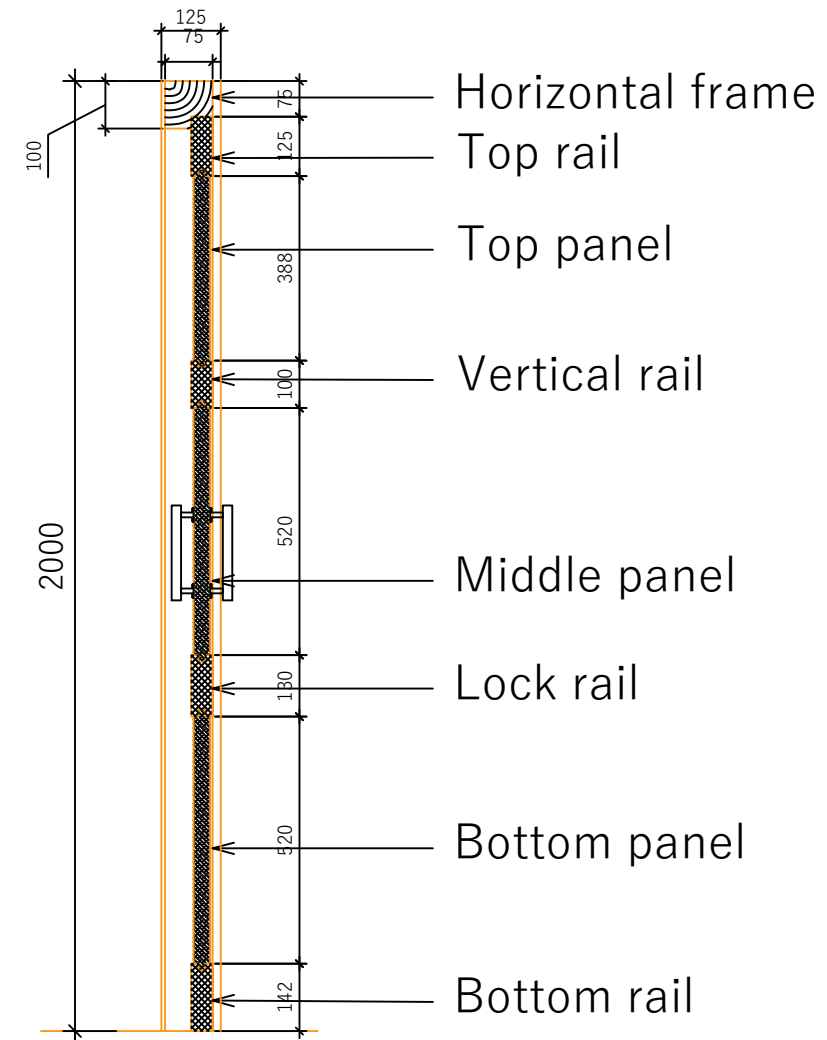
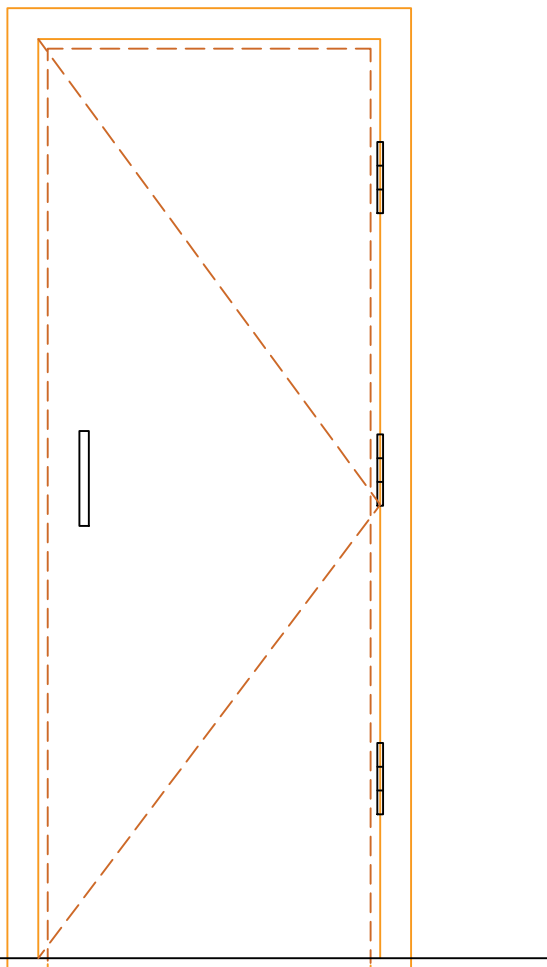
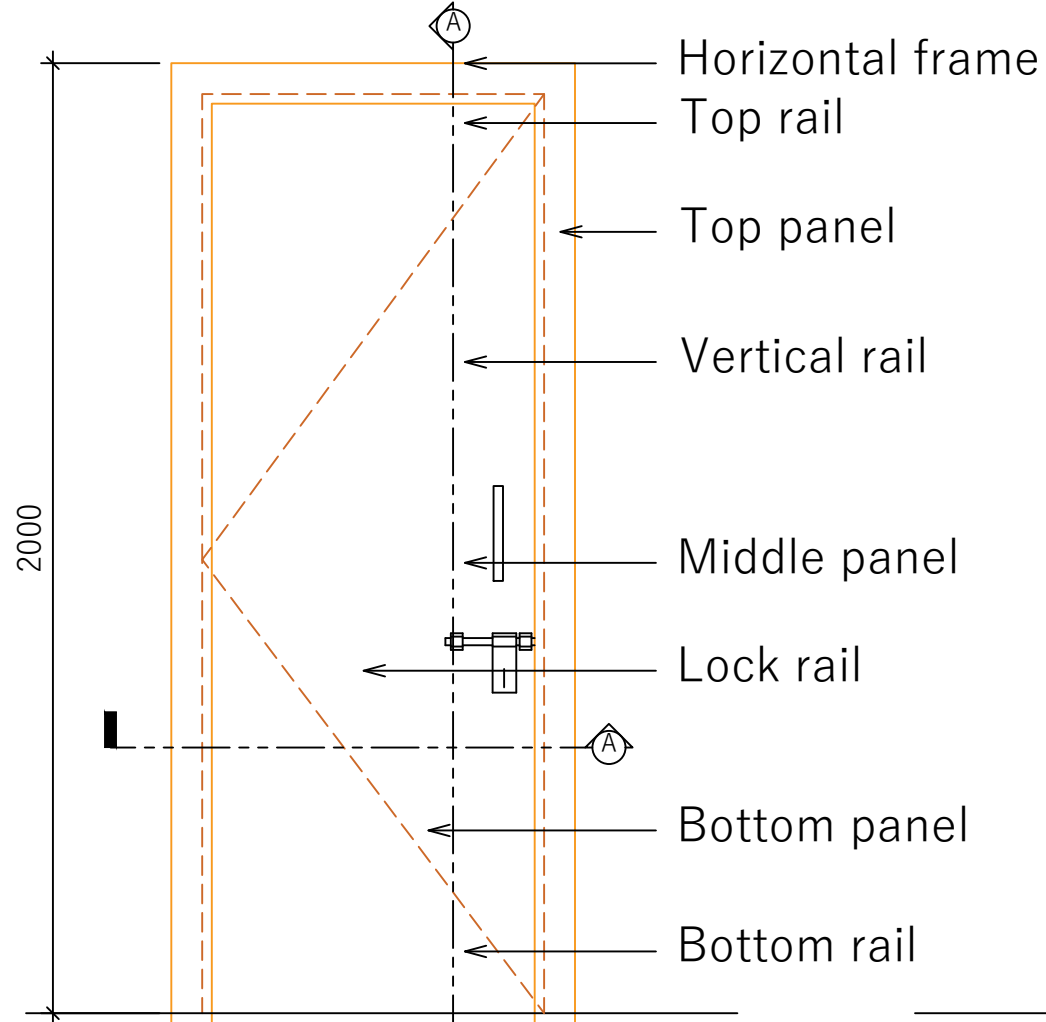
SCALE: 1:100

PAGE NO.:11B

# Door- D3

Front elevation

Back elevation



PROJECT TITLE:

CONSTRUCTION OF  
DZONGKHAG  
EMERGENCY  
OPERATION CENTER

DRAWING TITLE:

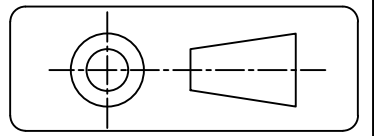
STEEL DOORS  
DETAILS

ARCHITECTURAL DRAWING  
FOR TEMPERATE REGION

DESIGN BY:  
 TSUTOMU SAKAKIYAMA  
 YESHI LOTEY  
 SONAM TSHEWANG  
 SONAM TOBGAY  
 NIDUP ZANGMO  
 TSHERING DORJI

ENDORSED BY:

JIGME THINLYE  
NAMGYEL  
DIRECTOR GENERAL



DATE: 4/02/2020

SCALE: 1:100

PAGE NO.:11C



PROJECT TITLE:

CONSTRUCTION OF  
DZONGKHAG  
EMERGENCY  
OPERATION CENTER

DRAWING TITLE:

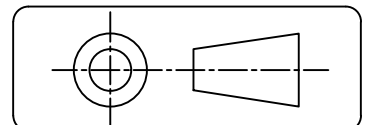
CEILING DETAILS

ARCHITECTURAL DRAWING  
FOR TEMPERATE REGION

DESIGN BY:  
TSUTOMU SAKAKIYAMA  
YESHI LOTEY  
SONAM TSEWANG  
SONAM TOBGAY  
NIDUP ZANGMO  
TSSHERING DORJI

ENDORSED BY:

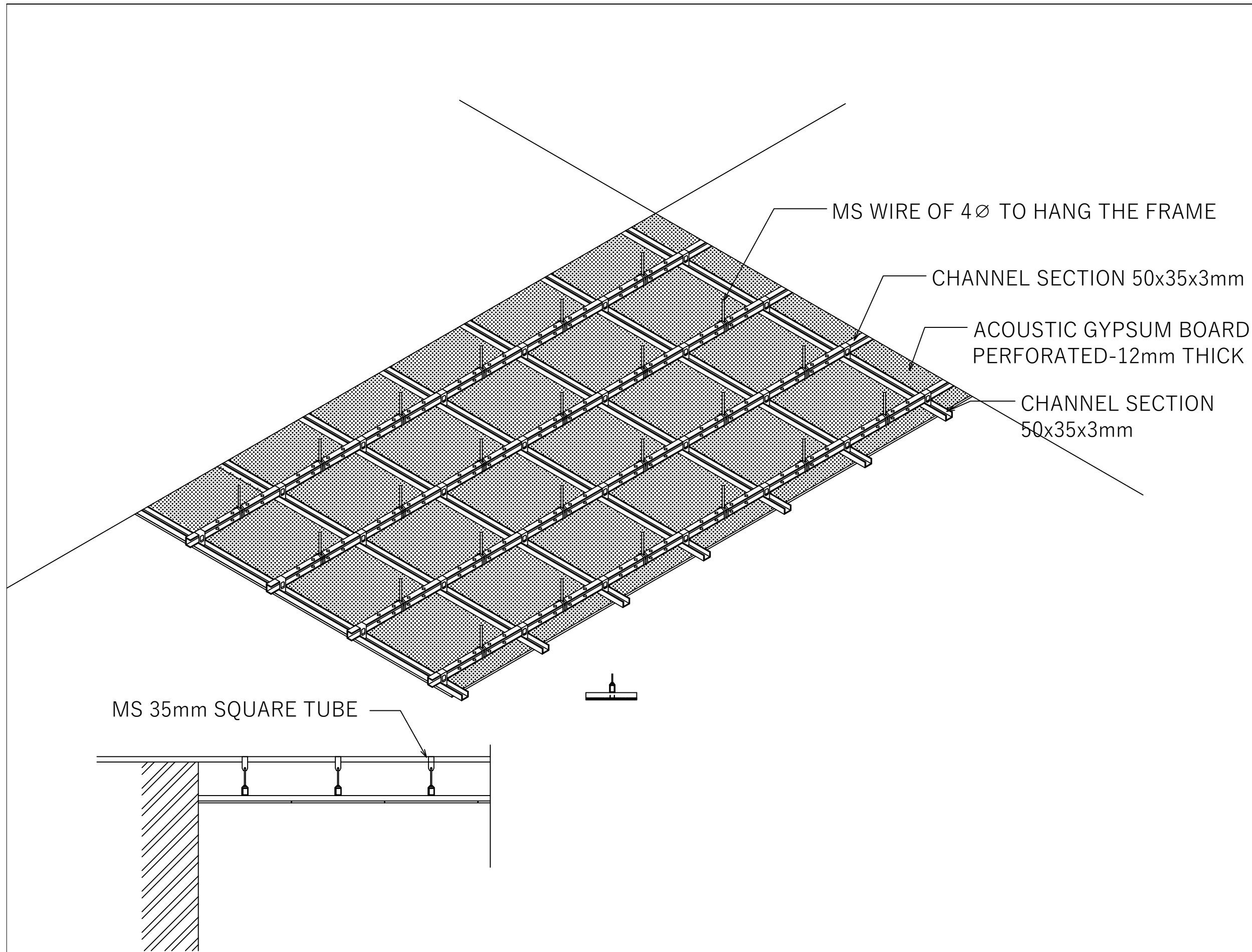
JIGME THINLYE  
NAMGYEL  
DIRECTOR GENERAL



DATE: 4/02/2020

SCALE: 1:100

PAGE NO.:12





PROJECT TITLE:

CONSTRUCTION OF  
DZONGKHAG  
EMERGENCY  
OPERATION CENTER

DRAWING TITLE:

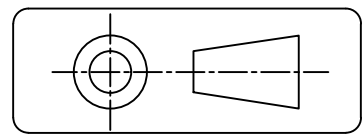
Plumbing  
DETAILS

ARCHITECTURAL DRAWING  
FOR TEMPERATE REGION

DESIGN BY:  
TSUTOMU SAKAKIYAMA  
YESHI LOTEY  
SONAM TSEWANG  
SONAM TOBGAY  
NIDUP ZANGMO  
TSHERING DORJI

ENDORSED BY:

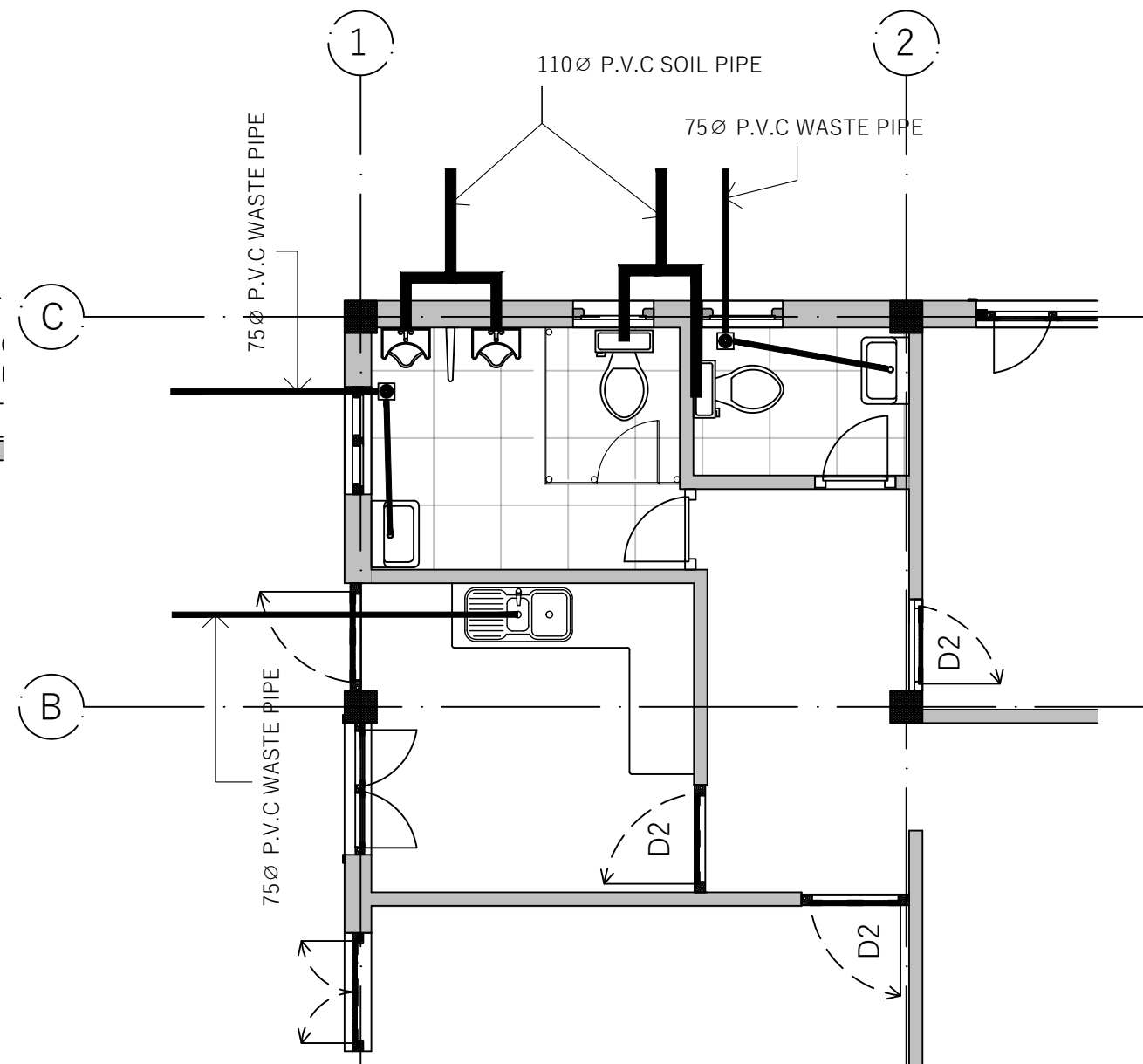
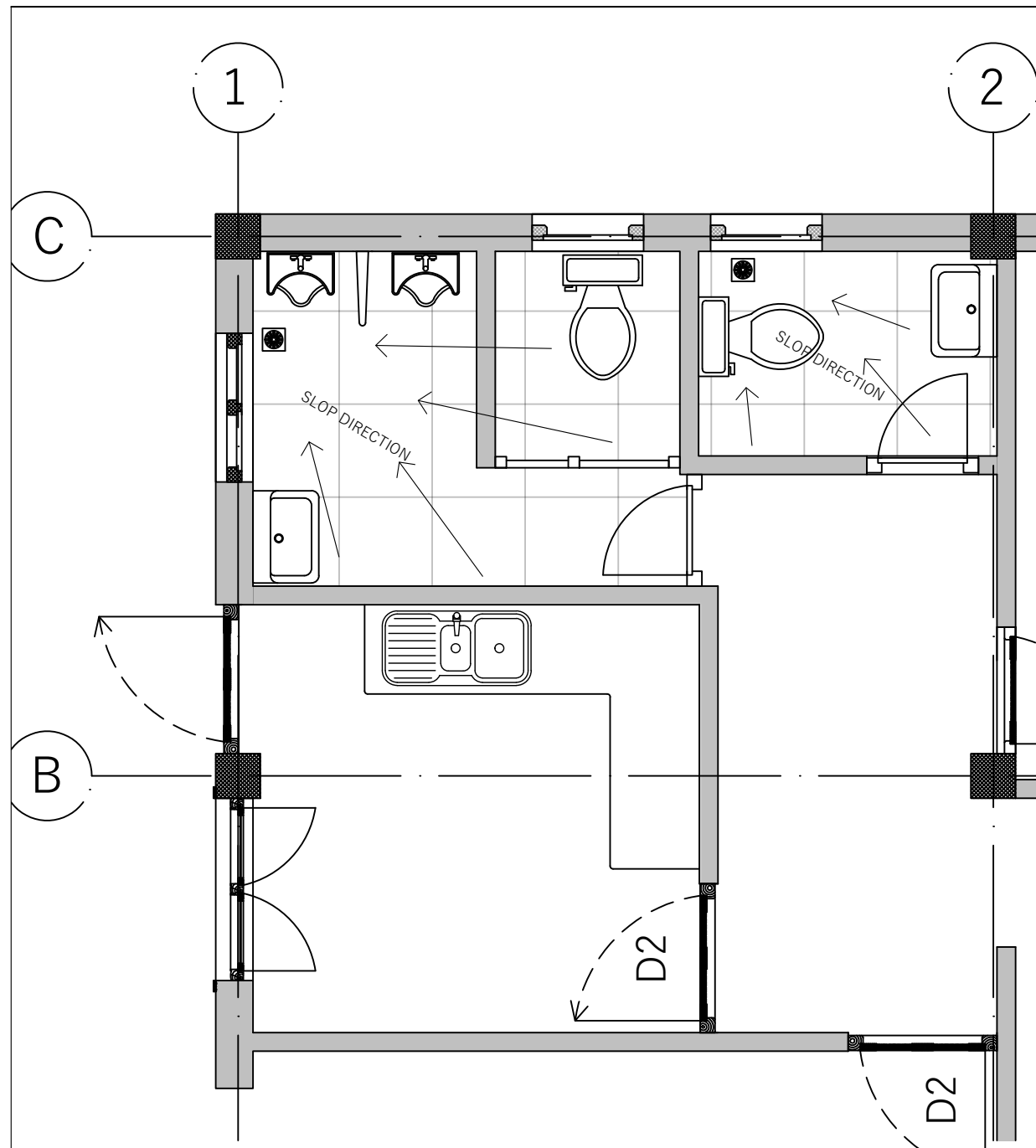
JIGME THINLYE  
NAMGYEL  
DIRECTOR GENERAL



DATE: 4/02/2020

SCALE: 1:100

PAGE NO.:13

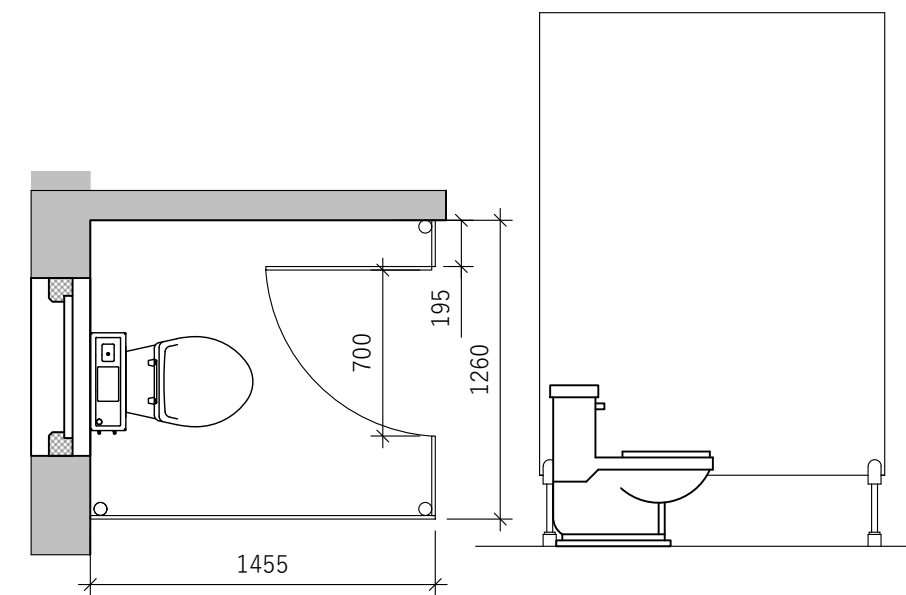
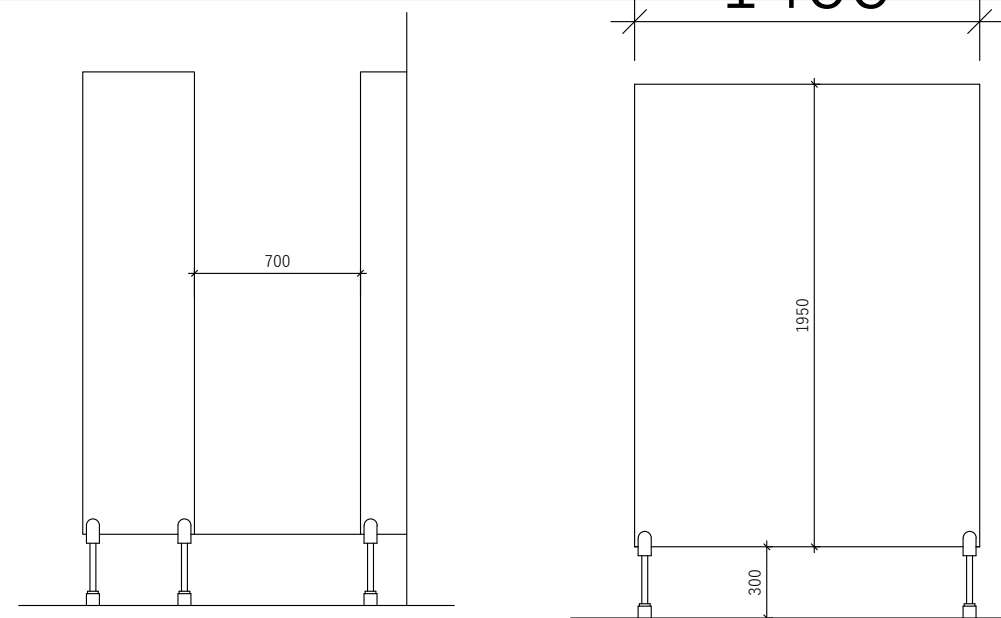
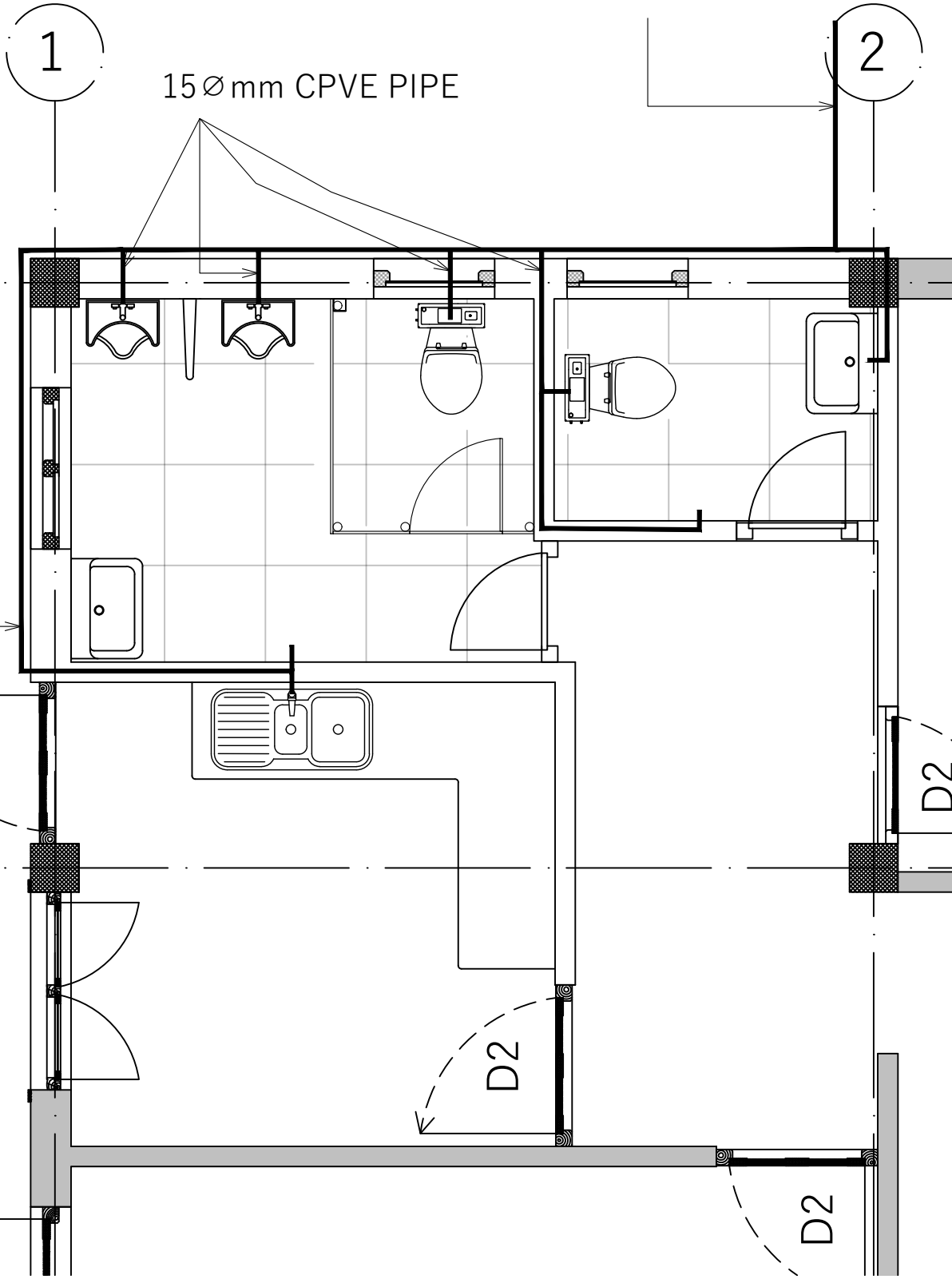


NOTE:-

- ALL THE SOIL PIPE SHALL BE PVC AND SHOULD NOT BE LESS THEN 110MM IN DIAMETER.
- ALL THE WASTE PIPE SHALL BE PVC AND SHALL BE 75MM IN DIAMETER.
- ALL THE FLOOR OUTLET SHALL BE COVERED WITH FLOOR TRAP AND CONNECTED WITH NAHANI TRAP.



25Ø mm CPVE PIPE



NOTE:-

1. ALL DISTRIBUTION PIPE SHALL BE CPVC AND 15mmØ.
2. ALL THE DISTRIBUTION PIPE SHALL BE EMBEDDED IN THE BRICK WALL.
3. THE BRANCH DISTRIBUTIONS PIPE SHALL BE OF ½" OR 15MMØ AND MAIN DISTRIBUTIONS PIPE SHALL BE ¾" OR 20MMØ.
4. PROVIDE ALL FLOOR WITH CONNECTION.
5. ALL THE INLET SHALL BE CONTROLLED WITH GATE VALVE.
6. ALL THE PIPE COMING FROM OVER HEAD TANK SHALL RUN OVER THE BRICK WALL AND BE CLAMPED PROPERLY.
7. PRESSURE TESTING SHALL BE DONE BEFORE CONCEALING THE PIPE.
8. MAIN DISTRIBUTIONS PIPE SHALL BE OF 20mmØ.
9. MAIN SUPPLY PIPE TO THE OVER HEAD TANK SHALL BE OF 32mmØ.



PROJECT TITLE:

CONSTRUCTION OF  
DZONGKHAG  
EMERGENCY  
OPERATION CENTER

DRAWING TITLE:

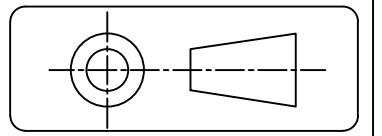
Plumbing  
DETAILS

ARCHITECTURAL DRAWING  
FOR TEMPERATE REGION

DESIGN BY:  
TSUTOMU SAKAKIYAMA  
YESHI LOTEY  
SONAM TSHEWANG  
SONAM TOBGAY  
NIDUP ZANGMO  
TSHERING DORJI

ENDORSED BY:

JIGME THINLYE  
NAMGYEL  
DIRECTOR GENERAL



DATE: 4/02/2020

SCALE: 1:100

PAGE NO.:14